

# Wilkhahn

Aline chairs. 230 range.





## Aline multipurpose chairs.

Wilkahn's Aline range, designed by Andreas Störiko, sets a standard for multipurpose rooms and informal communications areas. At the heart of Aline lies the multipurpose chair with a design that is both coherent and innovative. The seat and backrest are made of strong plastic and the chair has a stylish, bright chrome-plated round steel rod skid base. The result is a piece of furniture that is lightweight, stable and with materials reduced to the max. The flexible design and colour-matched high-efficiency fabric covering, combined with the holes to keep your body cool at the back, make sitting on the chair both relaxing and comfortable.

The masterstroke: the seat and backrest, available in black, grey and white, are based on the interlocking rails principle. This feature ensures extremely compact, safe and form-fit stacking that is kind to seat covers. Due to the integrated design with just two materials, Aline is ideal for restaurants, conference areas, lecture theatres, waiting rooms, customer-service areas or homes.





## Aline task and visitor chairs.

This range is an ingenious combination of lightweight furniture that is comfortable at the same time. So what could be more logical than to add a visitor and standard office task chair to the concept? The visitor task chair has a flat, four-arm star base and the transportable, height-adjustable office chair has a vertically aligned, five-star, die-cast aluminium base. Similarly to the swivel pedestals, they are bright chromium plated and therefore particularly robust. Both models have a contact suppression feature and are very flexible. As a result, they are very comfortable for a range of applications, for meetings, discussions, showrooms, reading rooms, Internet cafés or at your desk at home.

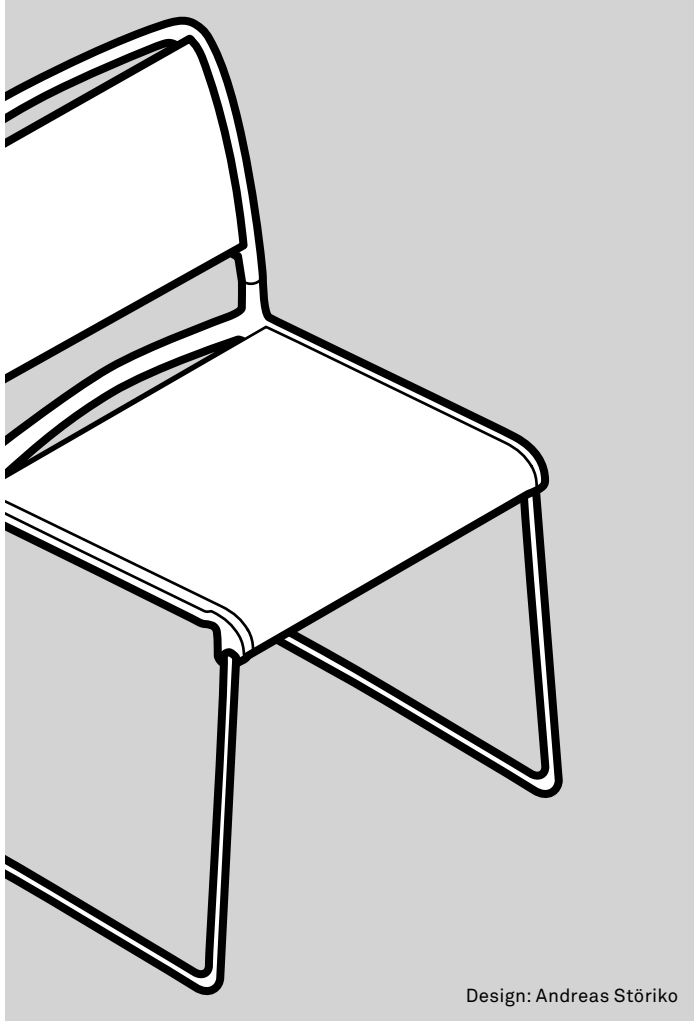


## Aline-S.

The Aline-S range is an excellent choice when stackable multipurpose chairs with a strong aesthetic appeal are required. Finely grained membranes made of through-dyed, slatted pure polyamide were developed to cover the seat and backrest frame on the chair. The slats follow the characteristic curve of the back of the seat frame. They help keep bodies cool and are comfortable due to different levels of elasticity in parts of the seat and backrest. The membranes are very high quality, pleasant to touch and easy to clean. What's more they're simple to replace should the necessity arise after years of use. Therefore, Aline-S is the ideal choice for settings where style and practicality are equally important factors. It's excellent for canteens and cafés, sales rooms, (semi) public lobbies or multipurpose spaces.

# Aline chairs. 230 range. Technical details.

# Wilkhahn



Design: Andreas Störiko

## Function

### Multipurpose chair

Light, transparent and stackable multipurpose chair for meetings, consultations, seminars and large-scale events. The chair is compact and can be stacked in a form-fit manner with just 20 mm per chair added to the total height of the stack due to self-engaging, covered seat and backrest frames (when 15 chairs are stacked the total height is just 106 cm and for model 233 just 109 cm). Weighs only 5.1 kg (without armrests) or 5.4 kg (with armrests). Model 233 only weighs 5.9 kg (without armrests) or 6.2 kg (with armrests).

Multipurpose chair, optionally with seat cushioning, available as a stackable or a non-stackable version. The stackable types have extra stacking bumpers and can be stacked extremely compactly in a form-fit manner.

### Counter/bar stool

Stylish and transparent bar stool with backrest and footrest bar, optionally with seat cushioning.

### Task and visitor chairs

Simple, transparent visitor task chairs and height-adjustable office task chairs for meetings and consultations, Internet cafés, showrooms and hot desking spaces.

## Frame

### Multipurpose chair

Multipurpose chair: Skid base made of tubular steel, 12 mm in diameter, bright chrome-plated, supports the seat frame at the front and continues at the rear through the seat frame to the backrest frame. On request with black plastic multipurpose glides for all types of flooring with optional extra felt inserts. When ordering inline connector model 238, multipurpose glides are automatically applied, optionally with extra felt insert for flooring that easily scratches (e.g. stone, parquet). Inline connector 231 types cannot be used for models 233/1 and 233/2.

### Counter/bar stool

Like the multipurpose chair, but can't be stacked, extra strength provided by bright chrome-plated flat-steel stretchers (16 x 6 mm) and a footrest set further back made of tubular steel.

## Task and visitor chair

Four-star base (visitor chair) or five-star base (task chair) in die-cast aluminium, bright chrome-plated. Task chair with black polyamide glides (for soft flooring), or black polyurethane (for hard flooring), optionally with additional felt insert. Task chair with twin wheel swivel castors in black polypropylene with load dependent braking (for soft floors) or with a soft tyre (for hard floors), anti-static on request. Fixed height swivel-mounted column with contact suppression feature (visitor chair) or extra precision adjustable swivel-mounted column (task chair), bright chrome-plated casing.

## Seat and backrest

Mod. 230/1, 230/2, 230/5, 230/6 seat and backrest frames in high strength, fibreglass-reinforced polyamide, optionally through-dyed in black, grey or white, covered with high performance coated polyester fabric optionally in the same colour as the seat and backrest frames. In the case of black, through-dyed seat and backrest frames optionally with a two-tone cover in copper-black or silver-black. Backrest frame optionally with or without armrests in the same material or colour. Optionally with seat shell made of polypropylene and seat cushioning made of cut foam. Stackable variants (only models

230/1 and 230/2) with stacking bumper made of fibreglass-reinforced polyamide colour matched with the seat and backrest frame. Models 233/1, 233/2, 233/4, 233/6 set and backrest frame made of high strength fibreglass-reinforced polyamide, optionally through-dyed in black or white, optionally with or without colour matched armrests. The plastic membrane is made of through-dyed polyamide like the seat and backrest frame. Optionally with cut foam seat cushioning. Stackable versions (only models 233/1 and 233/2) with stacking bumper made of fibreglass-reinforced polyamide colour-matched with the seat and backrest frame. Task and visitor chairs (models 232/1, 232/2, 231/1, 231/2) optionally with cut foam seat cushioning, with cover with fluted stitching, cushioning thickness 10 mm.

# Aline chairs. 230 range. Technical details.

# Wilkhahn

## Accessories

Optional for the multipurpose chair: automatically retractable inline connectors type 231 (only models 230/1, 230/2) made of matt chrome-plated steel. Inline connectors, type 238, only with special multipurpose glides made of black POM for hard and soft floorings, or with felt insert for flooring that easily scratches. Chairs with armrests can only be linked alternately with chairs without armrests. Four-wheeled trolley that nests into other trolleys made of black-coated tubular steel with four ball-bearing mounted wheels for hard and soft floorings, two of which are lockable directional wheels.

## Standards

Based on the DIN EN 16139-L1 office chair standard, up to 13 chairs can be stacked vertically. The stackable Aline chairs comply with the DIN EN 16139-L1 and ANSI/BIFMA X 5.1 office chair standard.



www.tuv.com  
ID 1000000000



# Aline / Aline-S. 230 range. Product designs.

# Wilkhahn



**230/1**  
Multipurpose chair



**230/2**  
Multipurpose chair with armrests



**230/5**  
Counter/bar stool



**230/6**  
Counter/bar stool with armrests



**233/1 Aline-S**  
Multipurpose chair with seat cushion



**233/1 Aline-S**  
Multipurpose chair



**233/2 Aline-S**  
Multipurpose chair with armrests



**233/4 Aline-S**  
Counter/bar stool



**233/6 Aline-S**  
Counter/bar stool with armrests



# Aline. 230 range. Product designs.

Wilkhahn



**232/1**  
Task chair on castors



**232/2**  
Task chair on castors with armrests



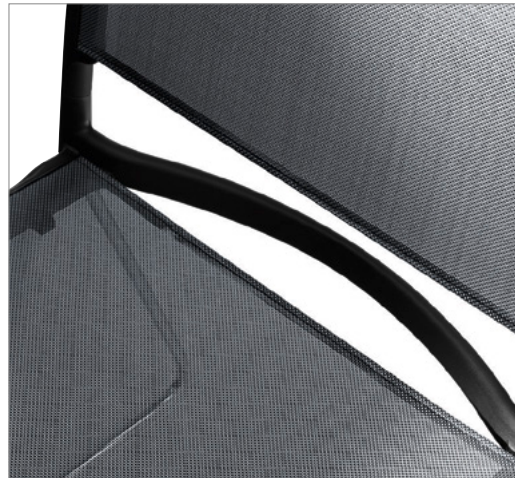
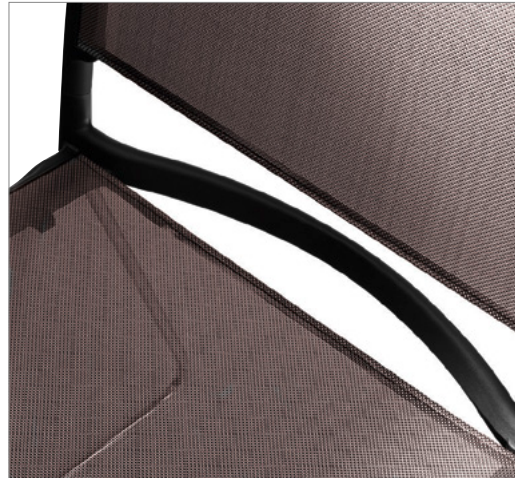
**231/2**  
Visitor chair



**231/2**  
Visitor chair with armrests

# Aline. 230 range. Product types.

# Wilkhahn



Seat and backrest frame in white or black

Polyester fabric in copper-black or silver-black, only when frame is black

Polyester fabric in white or black

Stitched fluting on 47/Nova cover

# Aline / Aline-S. 230 range. Upholstered types.

## Wilkhahn



232/1 Covered seat and backrest frame



232/2 Covered backrest frame, seat cushion with stitched fluting

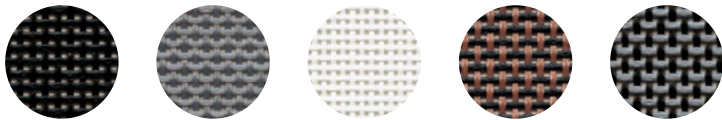


233/2 Seat and backrest frame with plastic membrane



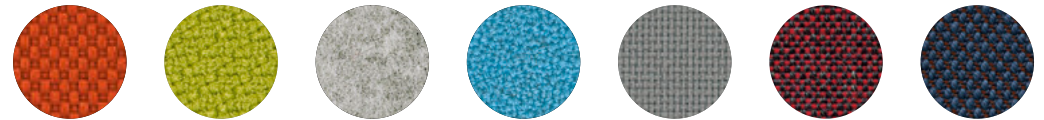
233/1 Seat and backrest frame with plastic membrane, with seat cushion

### Polyester fabric Aline



Black, grey, white, copper-black or silver-black

### Seat cushion upholstery material Aline / Aline-S (not all upholstery materials apply to all types)



47 Nova | 54 Pitch | 60 Blend | 63 Auris | 66 Lona | 68 Kvadrat Remix 2 | 91 Kvadrat Steelcut Trio 3 |  
You can find all upholstery materials and more colours in our media center

You can find our current fabric collection in our media center

The digital sample colours differ from the originals.

# Aline / Aline-S. 230 range. Frame types.

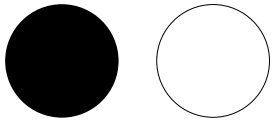
Wilkhahn

## Seat and back frame Aline



Black, grey or white

## Seat and back frame, membrane Aline-S



Black or white

## Frame surfaces Aline / Aline-S



Tubular steel, bright chrome-plated

# Aline. 230 range. Accessories and other items.

# Wilkhahn



Useful accessories for large events: the easy-to-slot-on clips with row or seat numbering. The inline connector, available as an accessory for the multi-purpose chair, is child's play to use. It automatically snaps back and is made of shot-blasted, matt chrome-plated flat steel: just fold it out, clip into the next chair and you're done!



The special glides on the inline connector are equally clever and allow models without armrests or alternately with armrests to be positioned and joined together – without any loose parts or any adverse affect on the chairs' stacking capabilities.

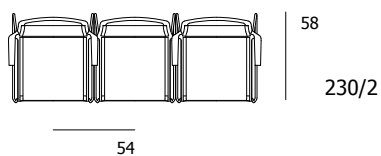
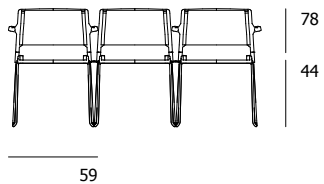
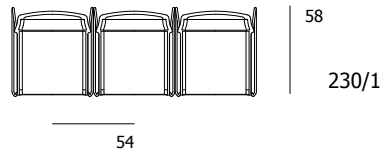
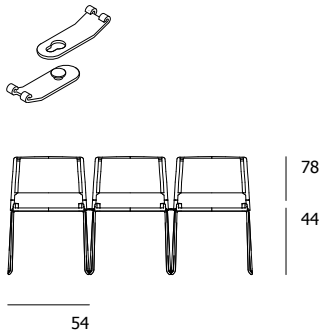


The chairs' light weight allows easy form-fit stacking of up to 15, and with a stacking trolley of even up to 20 chairs with or without armrests, with just 20 mm per chair added to the overall height of the chairs stacked. The backrest edge acts as a handle, side slots in the seat frame make the chairs easy to pull forward and remove from the stack.

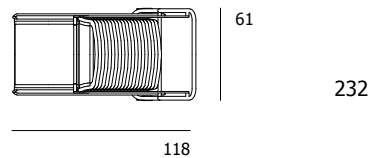
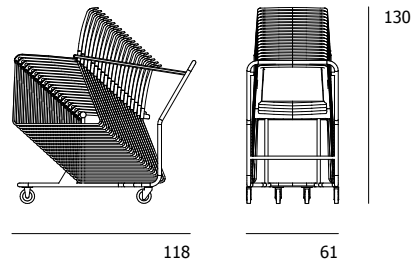
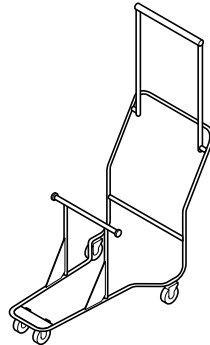
# Aline. 230 range. Accessories and other items.

# Wilkhahn

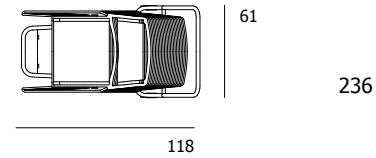
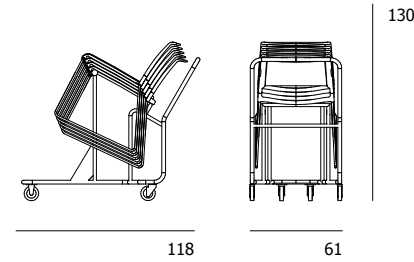
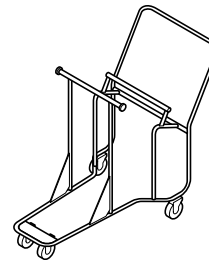
**231** Inline connector  
for models 230/1 and 230/2



**232** Four-wheeled trolley  
for 20 multi-purpose chairs



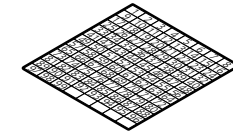
**236** Four-wheeled trolley for  
15 multi-purpose chairs with  
seat cushions



**234** Seat/row number chip  
for models 230/1 and 230/2



**235** Sheets of self-adhesive labels for  
numbering  
1 Set (1–400 for seats and  
1–100 für rows)



**238** Inline connector  
(for models 233/1 and 233/2)  
with glides for soft floorings  
(for models 230/1 and 230/2)  
with glides with felt insert



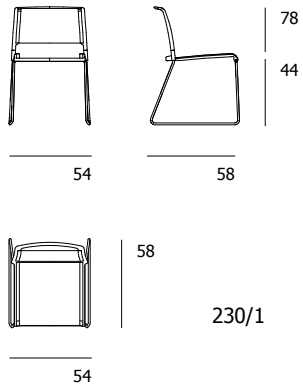
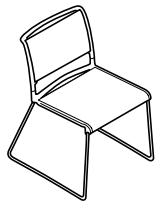
Further accessories not pictured:  
· Higher backrest (total height 80 cm)  
· Outdoor version  
· Multipurpose glides  
· Glides for soft flooring  
· Glides with felt insert

# Aline. 230 range. Models and dimensions.

# Wilkhahn

## 230/1

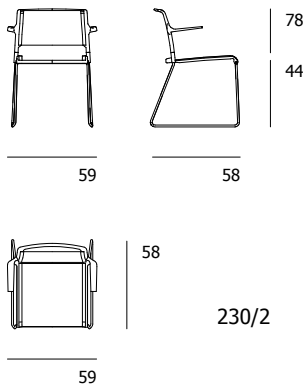
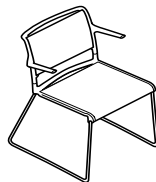
Multipurpose chair



230/1

## 230/2

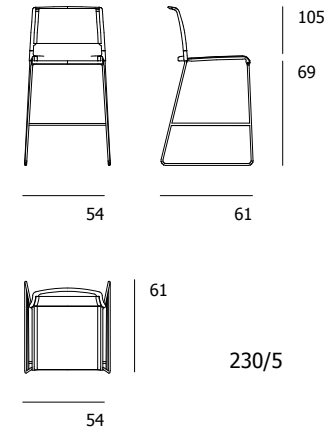
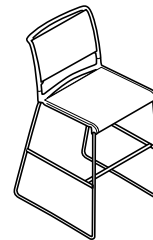
Multipurpose chair with armrests



230/2

## 230/5

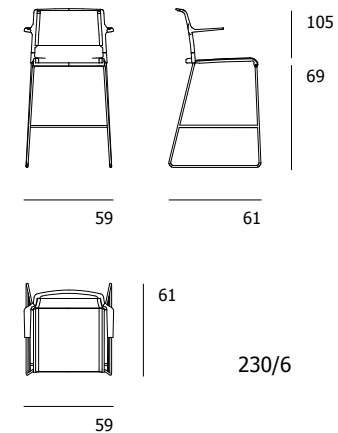
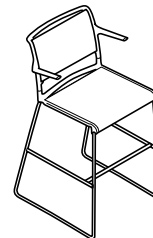
Counter/bar height stool



230/5

## 230/6

Counter/bar height stool with armrests

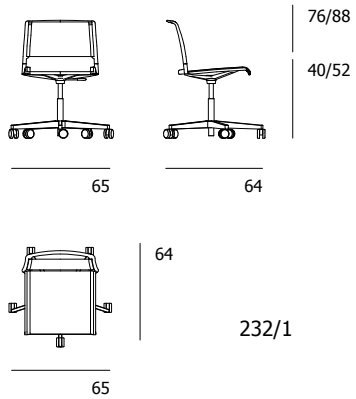


230/6

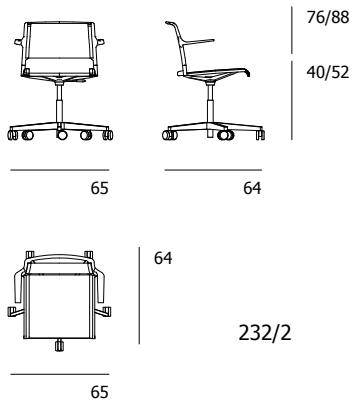
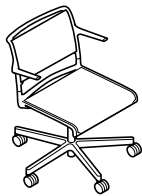
# Aline task chair. 230 range. Models and dimensions.

# Wilkhahn

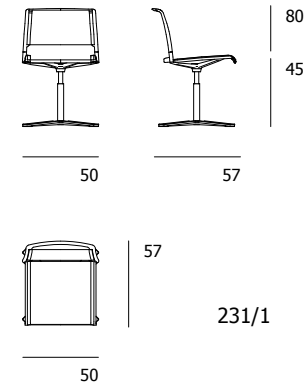
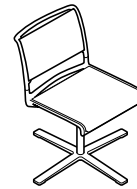
**232/1**  
Task chair



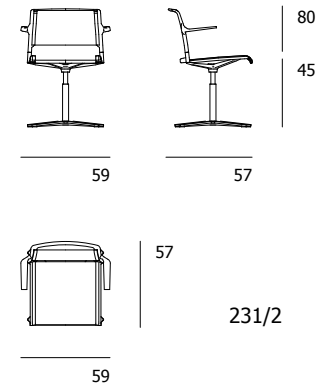
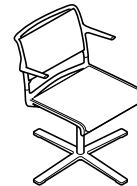
**232/2**  
Task chair  
with armrests



**231/1**  
Visitor chair



**231/2**  
Visitor chair  
with armrests

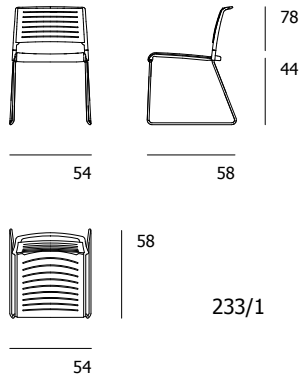




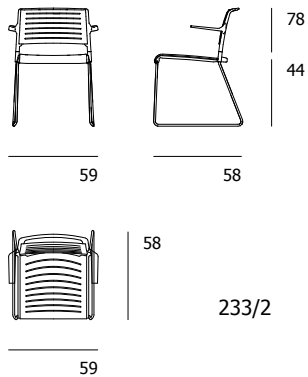
# Aline. 230 range. Models and dimensions.

# Wilkhahn

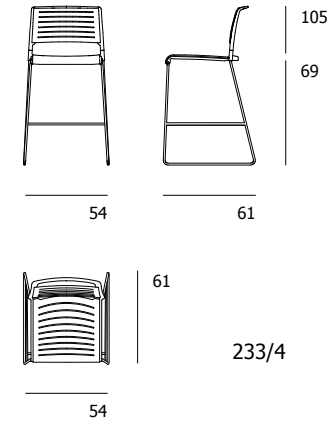
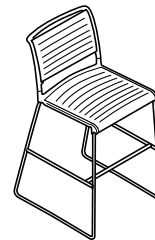
**233/1**  
Multipurpose chair



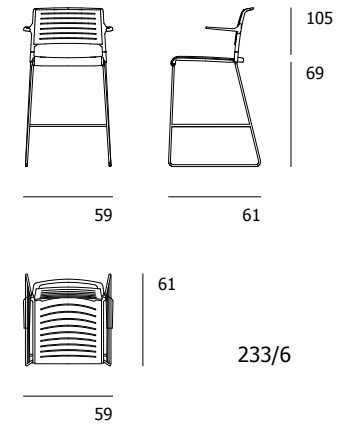
**233/2**  
Multipurpose chair with armrests



**233/4**  
Counter/bar height stool



**233/6**  
Counter/bar height stool with armrests



# Aline. 230 range. Awards / standards / certificates.

# Wilkhahn

## Awards



Not all Awards apply to all types.

## Product certificates / product standards



DIN EN 16139-L1 ANSI/BIFMA X5.1

Not all certificates / standards apply to all types.

## Company's certificates, memberships



## Environment and product

### Fewer materials and less space required, but comfort and ease of use enhanced

Smart design helps cut down on the chair's weight and materials used. The highly elastic, covered seat and backrest frame with breathable back make it comfortable for anyone sitting on it. This chair is lightweight, simple and space-saving to stack, making it easy for people to handle. It cuts facility-management costs and is kinder to the environment. And of course Wilkhahn ensures that the materials and design follow its own eco-driven design criteria:

- Reducing the materials used: the Aline skid-base chair consists of just three different materials. The skid base is bright chrome-plated, making the steel tubing particularly hard-wearing; the seat and backrest frame are made of glass fibre-reinforced polyamide and the cover comes in coated polyester fabric; the optional glides are made of polyamide or polyurethane (for soft or hard floorings).
- Separation and recycling: the materials can be separated at the end of the long product lifecycle. At least 30 per cent of the steel has already been recycled and all of it can be recycled afterwards. The polyamide and polyester components are sent to be professionally recycled afterwards.
- Extending product life: the clever shape of the design protects the cover from damage. Should damage however occur after a long period of using the chair, the seat and backrest frame can be replaced.

The Aline skid-base chair is an excellent example of how, in conjunction with superb, technical materials an innovative product concept for a multipurpose chair can be economically, ecologically and socially beneficial. By saving on space and facility-management costs, energy and material costs required during production quickly pay dividends.

You can find our environmental product information in our media center.