

# Wilkhahn

Asienta. 860 range.





## Asienta.

The chair and sofa range blends a prestigious appeal with exceptional design and comfort that's second to none. The stylish aluminium frame with curved cross sections and organic transition points form the characteristic contour around which cushioning of the cube-shaped seat body appears to envelop itself. The upholstery's thin and flat on the outside, with a defined curve on the inside. It looks soft, but is firm and offers comfortable support for different seating positions. With their classy covers, the cubes look as if they're wrapped in one piece of fabric. They form an exciting interpretation of traditional shapes, combined with clear precision and a relaxed appeal.

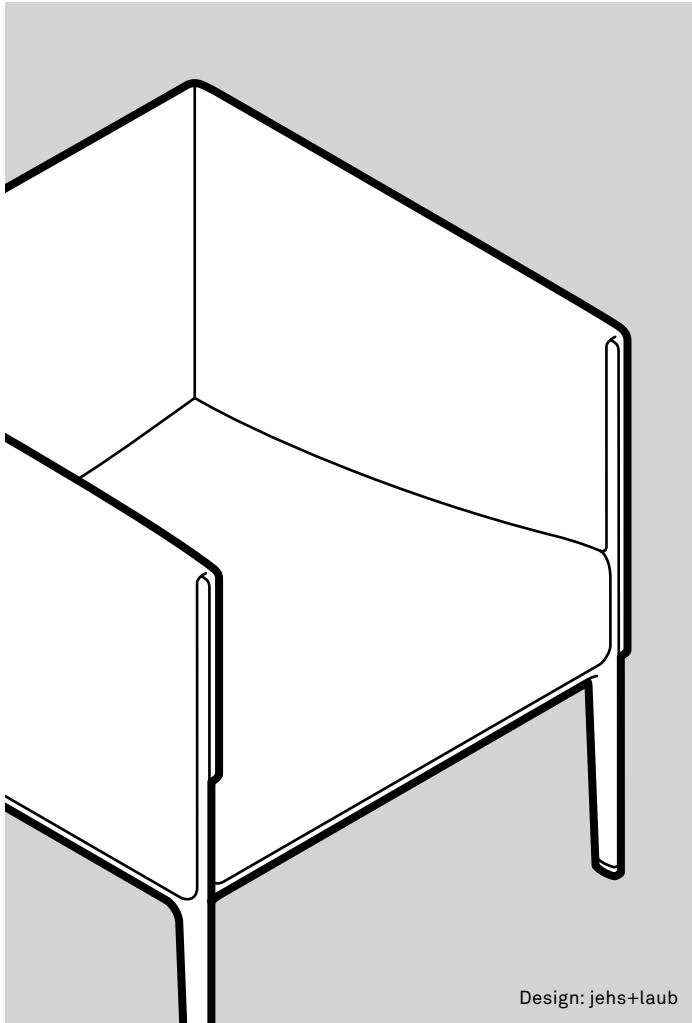
The extremely tough, four-legged structure makes large spans possible. The range offers stand-alone chairs that are very compact or in normal widths, as well as two- and three-seater sofas and upholstered benches. There is a choice of high-quality textiles and exclusive leather for the covers. The low tables have been designed to match. The bright chrome-plated, matt-polished or coated frames support the tabletops made of veneered wood, or of single-pane reinforced glass coated on the bottom in black or white.





# Asienta. 860 range. Technical details.

# Wilkhahn



## Function

Upholstered chairs and benches with backrests, benches without backrests, as well as matching tables for use in informal conference areas, such as for example prestigious lobbies, executive offices, in exclusive clubs or homes.

## Upholstered chairs, upholstered benches with backrests and benches without backrests

### Frame

Die-cast aluminium legs, optionally black or white coated, bright chrome plated or with a chrome, matt-polished finish. Surrounding under frame made of aluminium-extruded profile to match the legs. Black, multi-purpose glides made of plastic for all types of flooring.

## Seat and back

Leaf-sprung seat made of multiplex and solid wood (beech / birch). Back and side sections made of multiplex birch with flexible upper edge due to wide foam inserts that are covered with an elastic fabric. The cushioning is made of cut foam with extra padding.

## Tables

### Frame

Die-cast aluminium legs, optionally black or white coated, bright chrome plated or with a chrome, matt-polished finish. Under frame made of aluminium-extruded profile to match the legs.

## Tabletops

MDF board (medium density fibreboard), 25 mm (1") or single-pane reinforced glass, 10 mm (3/8"), boards are each placed flush with the under frame.

## Table top group 2 – veneer

Table top thickness 25 mm

Variant 1:

beech, oak and ash veneer based on Wilkhahn woodstain colour samples with wood lipping, colour matched as far as possible with the veneer.

Variant 2:

Maple, walnut or elm veneer from the Wilkhahn woodstain colour samples with wood lipping colour matched as far as possible with the veneer. Closed-pore: maple and beech veneer. Some specific growth features possible.

## Tabletop group 11 – glass

Tabletop thickness 10 mm (3/8") Single-pane reinforced glass optionally coated in opaque white or black, edges polished.

## Standards

The Asienta upholstered chairs and upholstered benches with and without backrests comply with the DIN EN 16139-L1 and ANSI / BIFMA X 5.4 standards.



www.tuv.com  
ID 1000000000

# Asienta. 860 range. Product types.

Wilkhahn



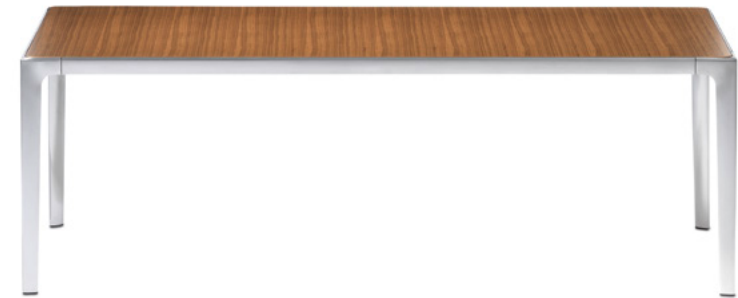
**861/6**  
Armchair



**863/5**  
Upholstered bench with backrest



**865/3**  
Bench



**860/2**  
Low table

# Asienta. 860 range. Product types.

## Wilkhahn

### Frame surfaces



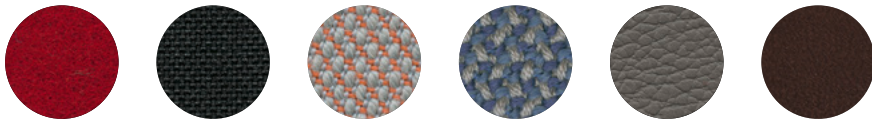
Bright chrome-plated or chrome matt-polished aluminium, coated black or signal white

### Table surfaces



Veneer variation 1, 2 or glass

### Upholstery material



60 Blend | 66 Lona | 91 Kvadrat Steelcut Trio 3 | 92 Credo | 74 Leather | 87 Leather  
You can find all upholstery materials and more colours in our media center

The digital sample colours differ from the originals.  
You can find our current fabric collection in our media center.



**861/6**  
Armchair, fabric

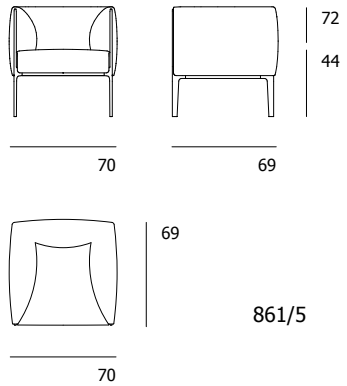
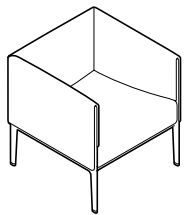


**861/6**  
Armchair, leather

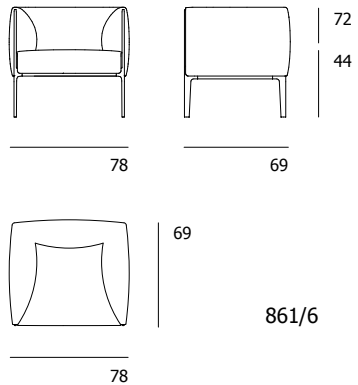
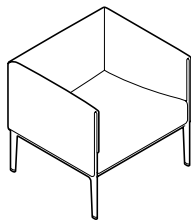
# Asienta. 860 range. Models and dimensions.

## Wilkhahn

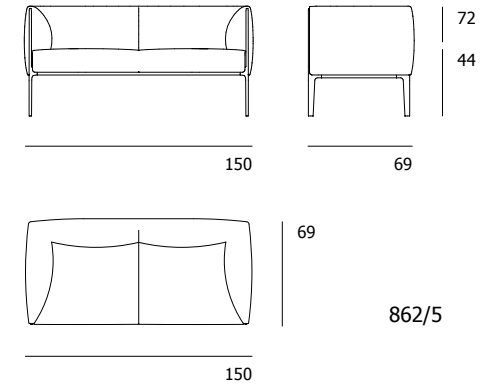
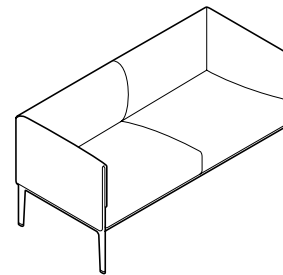
**861/5**  
Armchair



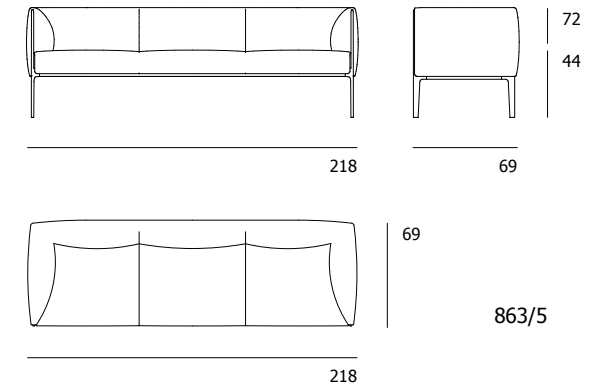
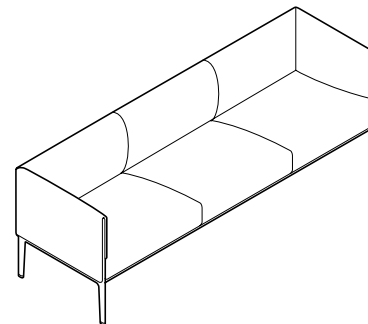
**861/6**  
Armchair



**862/5**  
Upholstered bench with backrest



**863/5**  
Upholstered bench with backrest

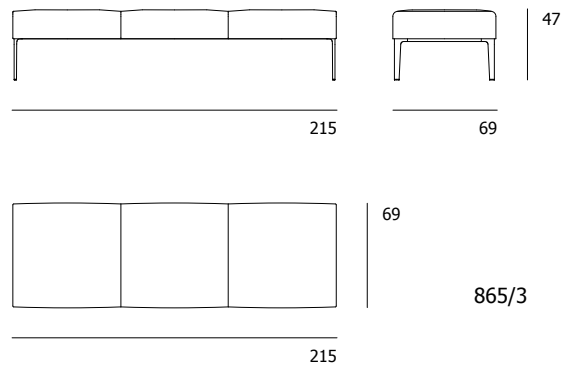
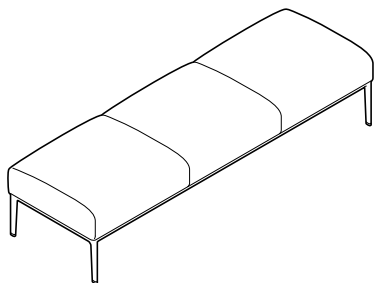




# Asienta. 860 range. Models and dimensions.

# Wilkhahn

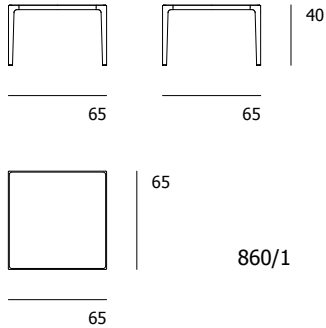
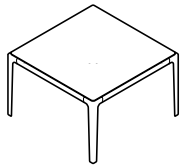
**865/3**  
Bench



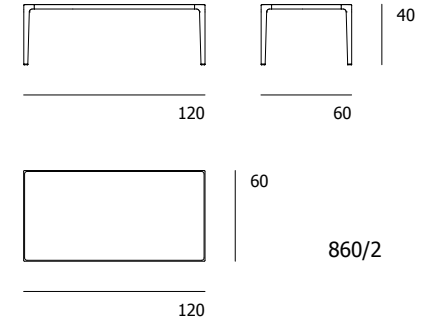
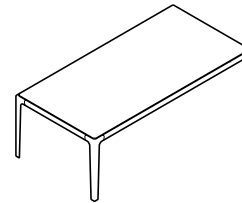
# Asienta. 860 range. Models and dimensions.

# Wilkhahn

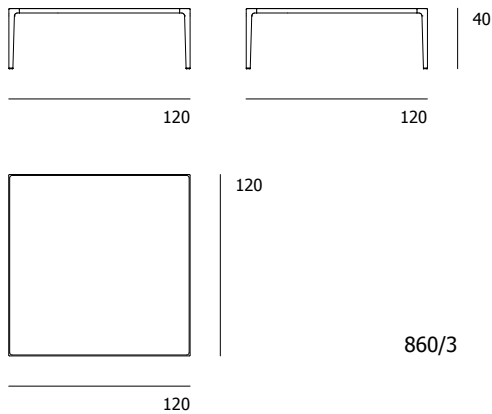
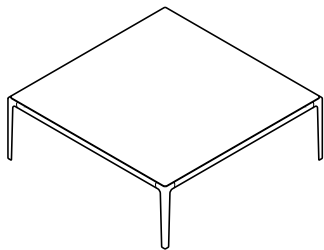
**861/5**  
Low table



**862/5**  
Low table



**861/6**  
Low table



# Asienta. 860 range. Awards/standards/certificates.

# Wilkhahn

## Awards



## Product certificates / product standards



DIN EN 16139-L1 ANSI/BIFMA X 5.4

## Company's certificates, memberships

