

Wilkhahn

Neos. 180 range.





Neos task chairs.

Harmonious design.
Integrated functions.
Intuitive handling.

For 30 years Wilkhahn has been a standard bearer for simplicity in design. All Neos office task chairs embrace this philosophy and offer:

- Straightforward adjustments of seat and backrest height, seat depth, armrest position and weight settings.
- Automatic and ergonomic adjustment of the flexible backrest shell to different shapes of back.
- And automatic promotion of dynamic sitting postures.

By pressing just two buttons and the conveniently placed lever, adjusting Neos to your level of comfort is child's play.



Neos cantilever chair.

Appealing.
Attractive.
Versatile.

The cantilever models complement the Neos task chairs perfectly. Their superior design, high quality appearance and variety of upholstery options make them ideal candidates for a multipurpose seating range in their own right. Perhaps as a place for a visitor to sit; as a comfortable and exclusive conference cantilever chair, or as stackable seating for seminars and presentations.

The cantilever chair consists of a slender, bright chromium-plated tubular steel frame connected to an elegant tapered outer rail. The space between the outer rail and the shell is not just simply a smart detail: the rail is also a handle and at the same time allows flexible adjustment of the back section. The single-section seat shell is invisibly attached to the seamless frame structure and combined with the suspended frame, it offers comfort par excellence.



Neos. 180 range. Technical details.

Wilkhahn



Function

Task chairs with automatic synchro-adjustment: The tilt of the seat and backrest automatically adapt to any postures users adopt. When leaning back, the backrest tension increases proportionately. The person using the chair can adjust the tension precisely by turning a crank. The backrest is lockable in four position at the touch of a button. In task chairs a DIN-4550-compliant gas lift for precision adjustment of the seat height. Adjustment of backrest height in seven positions within a range of 60 mm (2 $\frac{3}{8}$ "); models with mesh membrane backrests have lumbar support adjustable within a range of 60 mm (2 $\frac{3}{8}$ ") instead of the height-adjustable backrest. All models with seat-depth extension in 11 positions ranging from 385 – 435 mm. Models with a mesh membrane backrest as for task chair versions.

Cantilever chairs: chair, stackable up to 5-high, for visitors, meetings, conferences and seminars to match task chairs; with flexible, unitary seat shell, integral stacking buffer and outer rail on the backrest. Models 183 / 3 with leather covering (74) and 183 / 5 not stackable.

Frame

Task chairs

Five-star base in glass fibre-reinforced polyamide, through-dyed in black-grey, or in die-cast aluminium, polished, high-lustre polished or bright chrome plated. Twin wheel swivel castors with load-dependent braking DIN-EN-12529-compliant as the standard version for carpeting; with grey polyurethane tyre for hard flooring (please specify when ordering). Anti-static castors on request (when an aluminium frame is chosen). Synchro-mechanism cover in die-cast aluminium. Synchro-mechanism cover in black-grey through-dyed polypropylene. Seat bearer in glass-fibre-reinforced polyamide, through-dyed in black-grey.

Counter stool

Star base from the ON 170 range, with additional height-adjustable foot ring, bright chrome-plated, with lock screw to affix it and twin wheel swivel castors with load-dependent braking.

Cantilever chairs

Frame in round steel tube, 22 mm in diameter ($\frac{7}{8}$ "), thickness 3 mm ($\frac{1}{8}$ "), bright chrome plated, with anti-tilt stoppers in black-grey polyamide as the standard version for carpeted floors, optionally with glides in black-grey polyamide (for soft floors) or black-grey polyurethane (for hard floors), optionally with additional felt insert (please specify when ordering); outer rail in die-cast zinc, bright chrome plated. Optional outer rail made of very strong, glass-fibre-reinforced plastic, colour-matched with the shell.

Seat

Task chairs

Seat shell in polypropylene, through-dyed in black-grey or white. Cushioning: covered, one-piece moulded polyurethane foam with integral pelvic support, exchangeable. Seat depth can be custom-adjusted from 385 mm to 435 mm. The seat is designed in such a way that the angle of the pelvic support automatically adjusts to the position of the seat shell.

Neos. 180 range. Technical details.

Wilkhahn

Back

Task chairs

Backrest shell made of polyamide with backrest shell cover made of polypropylene, black-grey or white through-dyed. Cushioning: covered polyurethane one-piece moulded foam, replaceable. Model 181 / 6 with backrest frame in glass-fibre-reinforced polyamide, in black-grey, covered with transparent, black-grey, light-grey or white high-performance polyester; lower section of backrest frame covering in polypropylene, in black-grey; optional lumbar support in polyamide, black-grey through-dyed with integral foam overlay.

Cantilever chairs

Seat and back

Unitary seat and back shell in elastic polypropylene, through-dyed in black-grey or white. Seat cushion: exchangeable, with concealed screw fittings; comprising seat upholstery panel and covered polyurethane one-piece moulded foam. Type with optional, exchangeable back cushioning the same as the seat cushion. Model 183 / 3 with leather covering not stackable. Model 183 / 5 (not stackable) With leather-covered seat and back cushions with wool-fleece overlay and side facings, optionally with seat and back shell covered with leather on the back sections.

Armrests

Task chairs

3D armrests in glass-fibre-reinforced polyamide, through-dyed in black-grey or white, with black-grey polyurethane pad, adjustable by 100 mm (3 7/8") in height and 50 mm (2") in depth; can be swivelled inwards and outwards by 15°.

Cantilever chairs

PVC-free, sleeve-shaped armrest pad made of black-grey or white thermoplastic elastomer. Model 183 / 5 comes with armrest pad, padded and covered in leather with top stitching, or optionally with solid-wood armrest pads, oak, maple or walnut natural finish.

Standards

Neos task chairs comply with the DIN EN 16139-L1, ANSI / BIF-MA X5.1 (except for model 181 / 6) and other international office chair standards. If required, NPR 1813 models are available. Depending on the version they also fulfil the requirements of categories A or B of the DIN EN 1335 office chair standard.



Neos task chairs comply with the "Ergonomics Approved" label.



The cantilever and visitor chairs comply with DIN EN 16139-L1 and DIN EN 13761 standards.



Neos. 180 range. Product types.

Wilkhahn



Model 181/71 task chair, medium-height back, seat and backrest upholstery, on castors



Model 181/6 task chair, medium-height back, seat cushioning, on castors, with armrests



Model 183/3 cantilever chair, medium-height back, seat cushioning, back not upholstered



Model 183/5 cantilever chair, medium-height back, seat and backrest upholstery

Neos. 180 range. Upholstered types.

Wilkhahn



Seat and back cushioning



Seat cushioning and transparent back in black, light grey or white



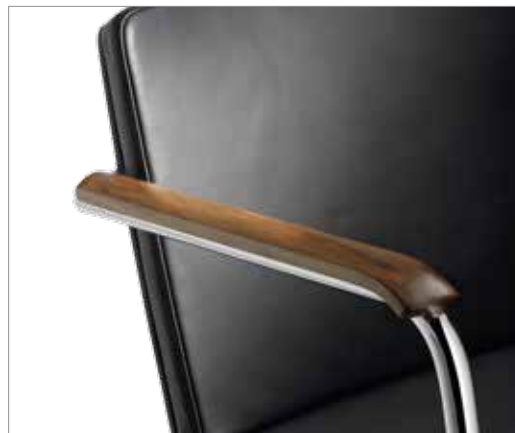
Seat cushioning, back not upholstered



Seat and back upholstered



Seat and backrest upholstery, leather, leather-covered armrest pads



Seat and backrest upholstery, leather, solid-wood armrest pads



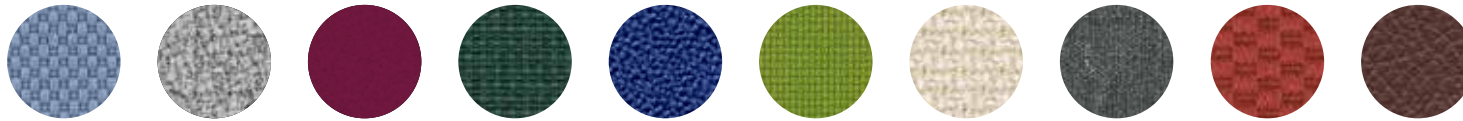
Seat and backrest upholstery leather, seat and backrest shell fully covered on the back with leather, leather-covered armrest pads

You can find our current fabric collection in our media center

Neos. 180 range. Upholstered types.

Wilkhahn

Upholstery material



47 | 54 | 60 | 62 | 63 | 66 | 67 | 68 | 69 | 74 | You can find all upholstery materials and more colours in our media center

Neos. 180 range. Frame versions.

Wilkhahn



Plastic star base



Bright, chrome-plated star base



Polished aluminium star base



High-lustre polished aluminium star base



Bright chrome-plated frame



Cantilever chair, white through-dyed shell and armrests



Task chair, shell and armrests white through-dyed

You can find our current fabric collection in our media center

Neos. 180 range. Frame versions.

Wilkhahn

Frame surfaces task chairs



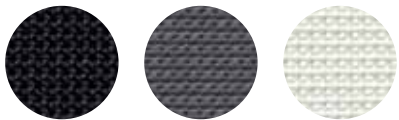
Aluminium bright chrome plated, high-lustre polished or polished Five-star base also in black-grey plastic

Seat and backrest shell task chairs



Black-grey or white, black-grey back frame

Frame cover task chairs



Black-grey, light grey or white

You can find our current fabric collection in our media center.

Frame surfaces cantilever chairs



Bright chrome plated

Seat and backrest shell cantilever chairs



Black-grey or white

Sleeve-shaped armrests and armrest pads cantilever chairs



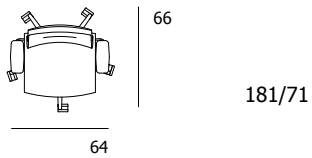
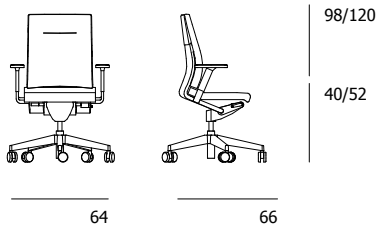
Sleeve-shaped armrests: Black-grey or white plastic
Armrest pads: Oak, maple, walnut in a natural finish, or covered in leather

The digital sample colours differ from the originals.

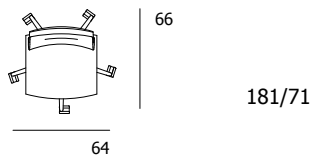
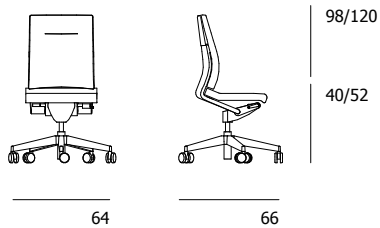
Neos. 180 range. Models and dimensions.

Wilkhahn

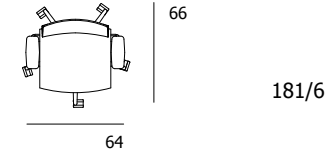
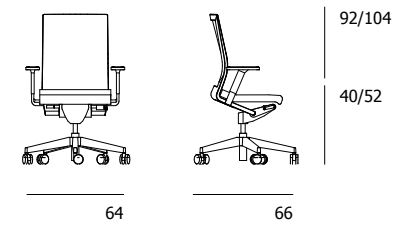
181/71
Task chair



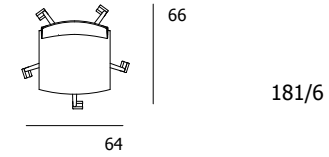
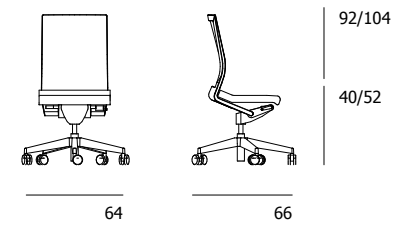
181/71
without armrests



181/6
Task chair



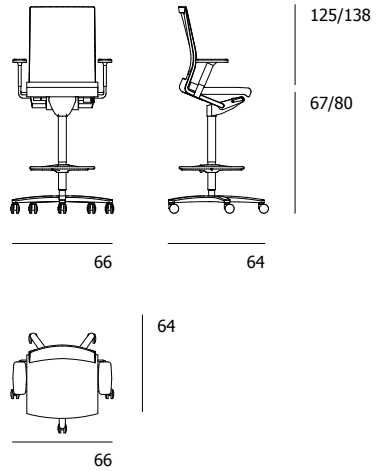
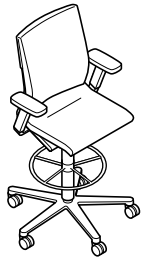
181/6
without armrests



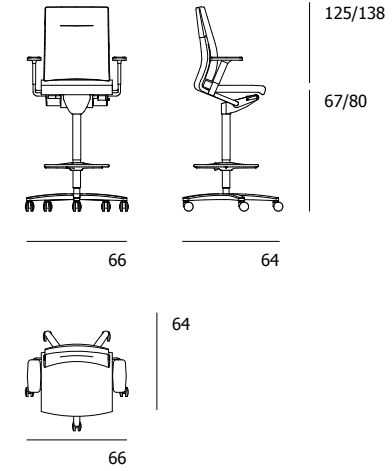
Neos. 180 range. Models and dimensions.

Wilkhahn

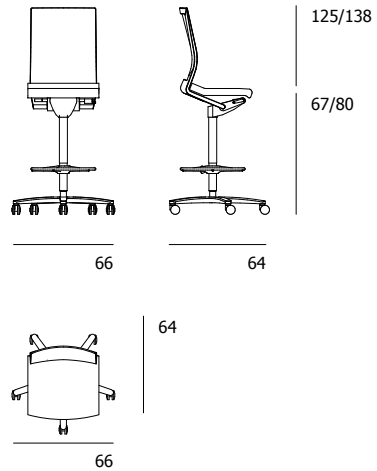
181/11
Counter chair



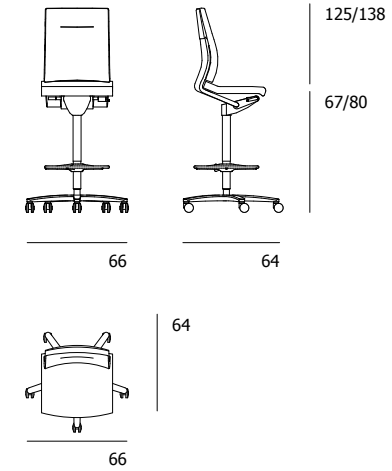
181/1
Counter chair



181/1
without armrests



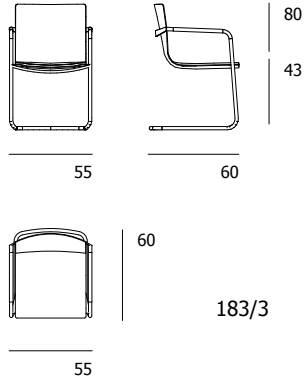
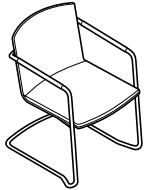
181/1
without armrests



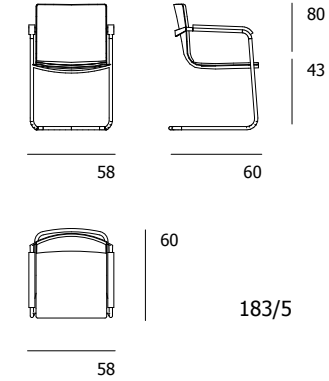
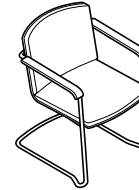
Neos. 180 range. Models and dimensions.

Wilkhahn

183/3
Cantilever chair



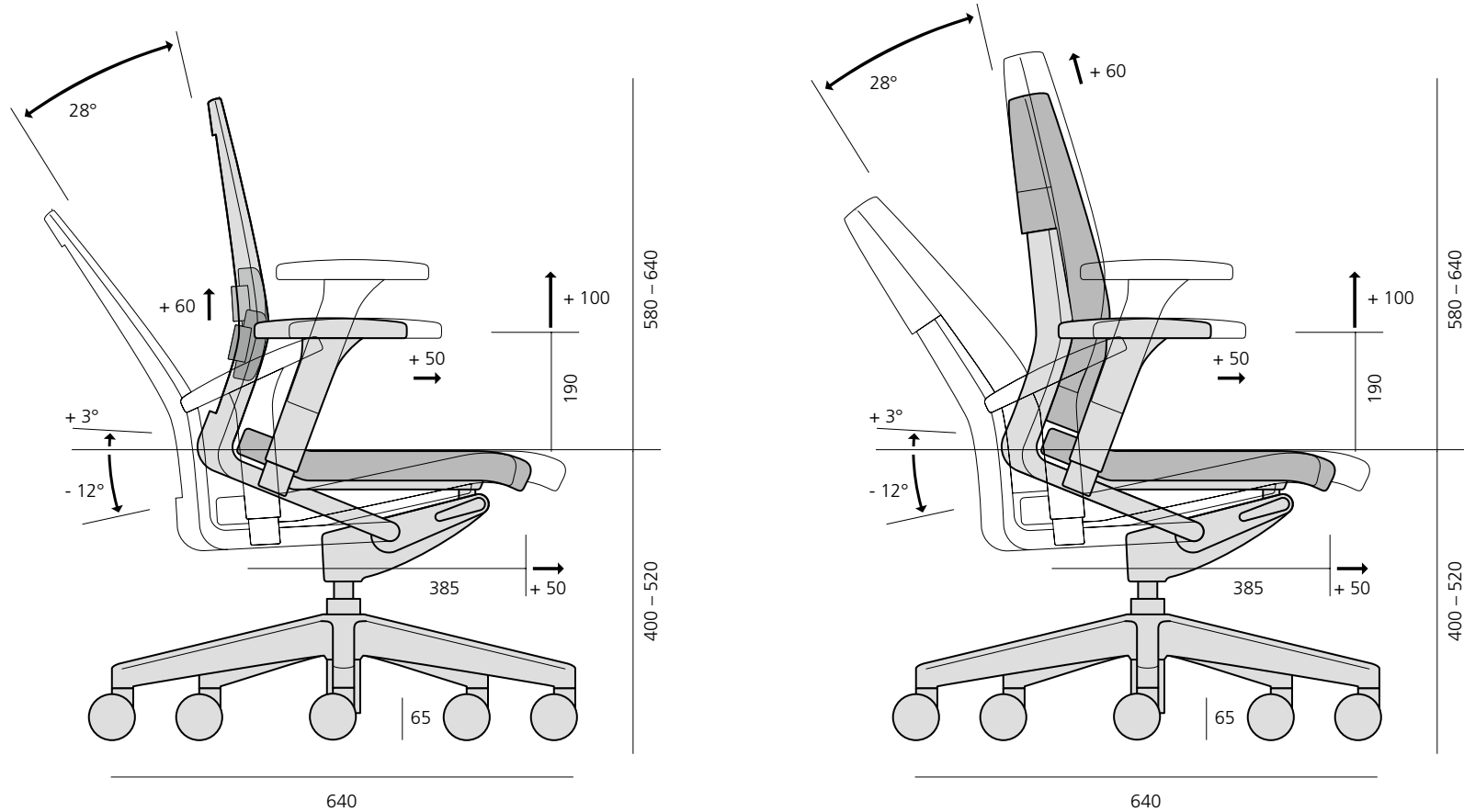
183/5
Cantilever chair



Neos. 180 range. Models and dimensions.

Wilkhahn

By shifting body weight, the tilt of the seat and backrest adjusts to any position the user is sitting in. When leaning back, the backrest tension increases according to the natural need for additional support. The pressure spring mechanism with swing plates and sliding seat bearer provide a back-to-seat angle range from 95° – 123° . The backrest is lockable in four positions.



Neos. 180 range. Awards / standards / certificates.

Wilkhahn

Awards



Product certificates / product standards



DIN EN 16139-L1 ANSI / BIFMA X 5.1 DIN EN 1335 DIN EN 13761

Not all certificates / standards apply to all designs.

Company's certificates, memberships



Environment and product

Aesthetics and design

Sustainable products must be practical. The timeless aesthetics of the Neos range provide added value, making it an option that is set to endure. Office work today requires maximum flexibility in terms of spaces, usage concepts, processes and people. What could be better than an office chair that offers perfect ergonomics for everyone? And which due to its calm, understated design is ideal for any environment? Which is why not only employees, company doctors and facility managers like Neos, but designers too. It's a satisfying result if healthy sitting can be combined with aesthetic appeal.

Durability and guarantee

The Neos office chair range was launched in 2004. Neos sets standards for product design that are sustainable in the best-possible way. The durability of the high-quality materials used, the innovative seating concept and the classic understated design guarantee that it will be used for many decades to come. We give a two-year manufacturer's guarantee, allowing customers to plan reliably. It's something we feel responsible for, regardless of our products' long useful lives. We consider guarantees way beyond these periods as selling the future short. Our services to extend the ecological life of the chair include maintenance as well as reconditioning of older chairs. Wilkhahn guarantees it will carry out repairs on discontinued furniture for at least two years after production has ceased. A long-term market presence, a reconditioning service and the superb durability of Neos chairs are key aspects of Wilkhahn's product philosophy.

Air quality and emissions of pollutants

Neos office chairs do not emit any concentrations of gas that are harmful to the environment or to health. Products from the Neos range are certified in the US in accordance with GREENGUARD Indoor Air Quality™. GREENGUARD™ is a certification programme for products low in emissions.

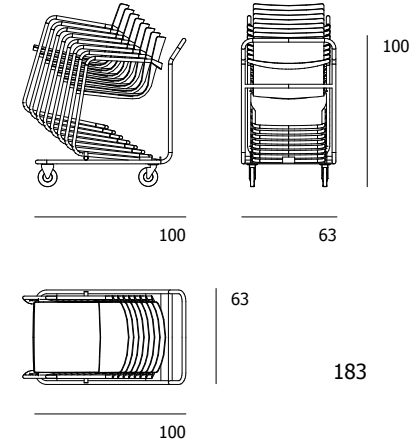
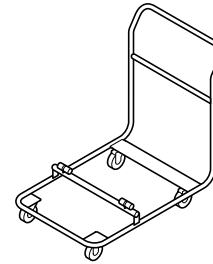
Neos. 180 range. Accessories and other items.

Wilkhahn



Model 181/6 task chair, medium-height back, seat cushion, on castors, without armrests

183 Four-wheeled trolley for eight stackable cantilever chairs. (Dimensions in cm)



Accessories and other items not pictured:

- Cantilever chair with anti-tilt stopper as a standard for soft flooring
- Cantilever chair with soft glides for hard flooring
- Cantilever chair with additional felt glides for wooden flooring