

Wilkhahn

Occo. 222 range.





Occo and Occo SC

When furnishing contemporary workspaces, the ultimate challenge is to ensure that the design of the different areas varies but that a common theme prevails throughout. The ingenious designers, Markus Jehs and Jürgen Laub, accomplished this feat by creating Occo with its distinctively shaped seat shells and striking cut-sections in the backrests. These not only give the chair an airy, light appearance and outstanding comfort, but are a common denominator throughout the range. The furniture is the perfect choice anywhere where people come together to interact, learn, develop new concepts or simply just party.

Design: jehs+laub

Table 222/70 with an HPL table top, table 222/90 with an HPL table top, Insit table 780/2 with an oak veneer table top, design: Wolfgang C. R. Mezger, chair 222/31, chair 222/32, chair 221/22, bar stool 223/20, Stitz 201/2, design: Hans Roericht.



Table model 222/90 and task chair with armrests with active rocking technology 222/02



Task chair 221/00 and bar stool 223/90 each with non-slip felt pad 222 and 223.

The models range from stackable versions to appealing four-leg chairs with wooden frames, sled-base chairs, to swivel-mounted visitor- and conference-chairs all the way to height-adjustable counter and task chairs, which even come with optional active rocking technology for dynamic sitting. Two seat shells, six colors, four types of upholstery and seven frames produce a grand total of 336 models for multipurpose, co-working or seminar spaces, meeting rooms, cafeterias and offices at home. The bar stools have been designed to match. They come with a sled (skid) base, or four legs made of solid wood, each available in two heights, or with a disc base and a height-adjustable center column. In this case, the seat shells are also available in six colors and different types of upholstery: without upholstery, with a loose felt pad, or with seat cushioning.



Occo Conference, Occo Lounge and Occo tables.

Roomy, fully upholstered seat shells plus a choice of two backrest heights, two types of upholstery and seven frame variants add up to 28 types of chair for clubs, cafeterias, lobbies and conference areas requiring high-quality furniture. Four-leg chairs with steel or solid wood base frames, chairs with sophisticated sled bases, four-star bases made of butted tubular steel on glides or five-star bases on casters can be matched to suit the mood of the interior and ensure comfort in meetings and areas in the middle of rooms. Task chairs with four-star, aluminum bases and active rocking technology or with five-star bases with casters and additional height-adjustment capabilities introduce dynamic comfort to conference rooms and temporary workspaces that require a superior look.

Table 222/71 with a solid oak table top, chair 224/24. In clubs and lounges, Occo Conference chairs and tables made of solid oak help create the sort of relaxed atmosphere that encourages people to engage with one another. Design jehs+laub



Then there are ten Occo lounge models with a low seating height, which come in two backrest heights and types of upholstery, on sled bases with solid wood base frames or swivel-mounted with a classy aluminum star base. As standalone chairs or in a group, they look impressive in lobbies, or in front of fireplaces, or at home in the lounge. And, finally, the matching tables at side-table, sitting and standing heights round out the range. As a result, Occo offers a wide range of options to meet any requirements, but conveys one single design concept throughout.



Table 222/90 with an HPL table top, chair 222/40 with a felt pad. If non-slip felt pads are kept in storage, models without upholstery can be turned into seating for meetings and seminars in no time.



Table 222/90 with solid oak table top, chair 222/21.
Scalable design options to coordinate with the interior design lend project spaces, for instance, very different atmospheres.



Occo Conference 224/43 with a Graph table 300/40 with an oak veneer table top, design: jehs+laub.

When used in meetings, the models with a four-star base and active rocking technology ensure dynamic comfort and casters make them flexible options.



Table 222/90 with an HPL table top, chair 222/21.



Occo Conference 224/53, Graph table 300/50 with an oak veneer table top, design: jehs+laub. The frames of the table and chairs match each other perfectly. The optional return springs automatically put the seat shells back into their original positions, which ensures the room looks neat and orderly once people have got up and left.



Stackable chairs with armrests 222/10, photo: Allona Arquitectos



Occo SC with a sled (skid) base, models 221/100, 221/101 und 221/102 at Occo tables, models 222/70 and 222/90, design: jehs+laub



Swivel-mounted chair with armrests 222/40 with a felt pad 222 at Confair folding tables 440/00, design: Andreas Störko, photo: Anna-Tina Eberhard



In the foreground: Bar stools with seat cushioning 223/11, in the background: swivel-mounted chairs with armrests with seat cushioning 222/31, photo: Andreas Muhs



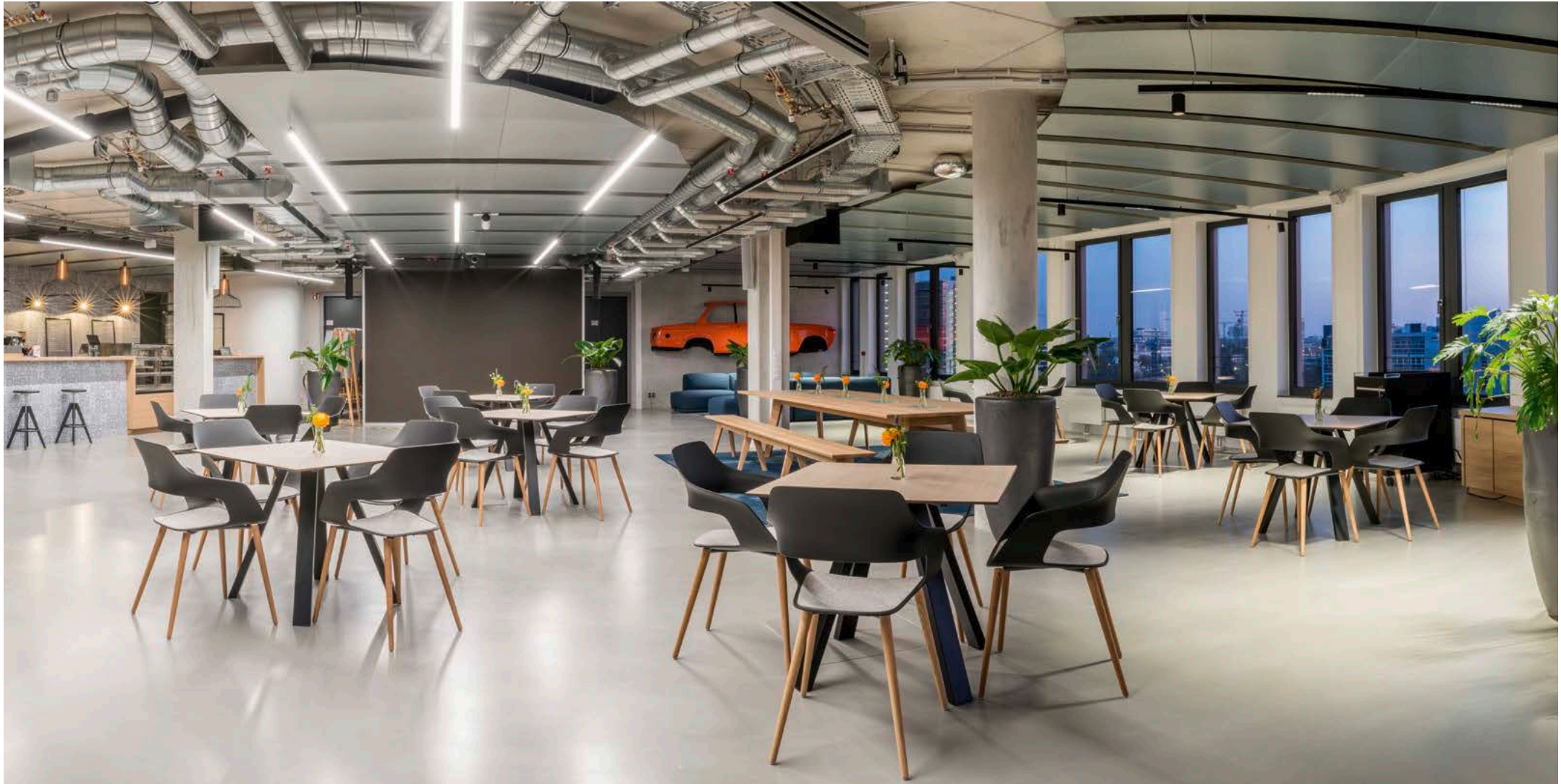
In the foreground: Swivel-mounted chairs with armrests with seat cushioning 222/31, in the background: Multipurpose chairs with armrests with seat cushioning 222/21, photo deterringdesign GmbH



Bar stool 223/20, chair 222/10 with a felt pad, chair, 222/11. The bar stools stand apart for the organic form of the seat shells, which convey a feeling of assurance and comfort. Due to its distinctive style and fluid lines, Occo can easily be combined with other items of furniture, such as the Insit seating unit. Insit table model 780/2 with an oak veneer table top, Insit bench model 782/5, high backrest, model 783/60 (customized variant), design: Wolfgang C.R. Mezger.



Swivel-mounted chair with armrests with seat cushioning 222/41 and stackable chair with armrests 222/10, photo: Beat Krättli for Identi AG



Multipurpose chairs with armrests 222/20 with felt pad 222, photo: Niclas Pütz



Multipurpose chairs with seat cushioning 221/21, photo: Leuchtende Hotelfotografie, Thomas Haberland



Swivel-mounted chairs with armrests with seat cushioning 222/41, photo: Ellis Humblé



In the foreground: Swivel-mounted chairs with armrests with seat cushioning 222/31, in the background: Multipurpose chairs with armrests with seat cushioning 222/21, photo: Martin Joppich



The springy backrest and the height-adjustable base frame with its stylish star base make model 221/00 with its felt pad a smart chair for home offices, placed here in front of an Aline table, model 273/10 coated white, design: Andreas Störiko.



Multipurpose chair with armrests with seat cushioning 222/21 positioned at a Versa table configuration of models 636/11 and 636/12, design: Wolfgang C.R. Mezger, photo: Kai Loges/Andreas Langen



Occo Conference with sled (skid) base, model 224/103, at a Versa table configuration, models 636/11, 636/12 and 3 x 636, design: Wolfgang C. R. Mezger, and Occo Lounges with sled (skid) bases, model 225/103, at an Occo lounge table, model 222/72.



Multipurpose chairs with armrests with seat cushioning 222/21, photo: Leuchtende Hotelfotografie, Thomas Haberland



The 222/81 table model with table top and base frame made of solid oak and the 222/22 Occo chairs with armrests, upholstered on the inside and with an oak base frame, are ideal for a dining room at home.



Stackable chairs with armrests with seat cushioning 222/11 at 610/00 Timetable tables, design: Andreas Störiko, photo: Michael J. Rüttger



Swivel-mounted chairs with armrests with padding on the inside 222/32 at a 638/51 Versa table, design: Wolfgang C. R. Mezger, photo: Stephan Huger, studiohuger.at



Swivel-mounted Occo lounge chairs with backrests 225/24 with an Occo lounge table 222/72, on the left: Insit bench system, design: Wolfgang C. R. Mezger

OCCO. 222 range. Overview of models.

Wilkhahn



OCCO. 222 range. Product types.

Wilkhahn



221/10
Multipurpose chair,
not upholstered,
up to 10 are stackable



221/10
Multipurpose chair,
not upholstered,
up to 10 are stackable



221/22
Multipurpose chair,
with padding on the inside



221/100
Multipurpose chair,
not upholstered



221/30
Visitor chair,
with a felt pad



221/40
Task chair,
not upholstered



221/00
Task chair,
height-adjustable,
not upholstered



221/01
Task chair,
height-adjustable,
with seat cushioning



221/02
Task chair,
height-adjustable,
with padding on the inside



221/51
Counter stool

OCCO. 222 range. Product types.

Wilkhahn



222/10
Multipurpose chair,
not upholstered,
up to 10 are stackable



222/11
Multipurpose chair,
with seat cushioning,
up to 6 are stackable



222/21
Multipurpose chair,
with seat cushioning



222/102
Multipurpose chair,
with padding on the inside



222/30
Visitor chair,
not upholstered



222/40
Task chair,
not upholstered



222/00
Task chair,
height-adjustable,
not upholstered



222/01
Task chair,
height-adjustable,
with seat cushioning



222/02
Task chair,
height-adjustable
with active rocking technology,
with padding on the inside



222/52
Counter stool

OCCO. 222 range. Product types.

Wilkhahn



224/13
Upholstered chairs,
standard height backrest
with looser-fit upholstery



224/14
Upholstered chairs,
medium-height backrest



224/23
Upholstered chairs,
standard height backrest



224/104
Upholstered chairs,
medium-height backrest



224/34
Upholstered chairs,
medium-height backrest



224/43
Upholstered chairs,
standard height backrest



224/54
Upholstered chairs,
medium-height backrest



224/63
Upholstered chairs,
standard height backrest



225/23
Lounge chair,
standard height backrest



225/24
Lounge chair,
medium-height backrest
with looser-fit upholstery



225/104
Lounge chair,
medium-height backrest



225/53
Lounge chair,
standard height backrest
with looser-fit upholstery



225/54
Lounge chair,
medium-height backrest
with looser-fit upholstery

OCCO. 222 range. Product types.

Wilkhahn



223/20
Bar stool,
not upholstered



223/21
Bar stool,
with seat cushioning



223/10
Bar stool,
not upholstered,
up to 8 are stackable



222/61
High table, square,
90 × 90 cm (35½" × 35½"),
H 106 cm (41¾")



222/81
High table, rectangular,
90 × 190 cm (35½" × 74¾"),
H 106 cm (41¾")



222/81
Table, Oak,
90 × 190 cm (35½" × 74¾"),
H 73 cm (28¾")



223/11
Bar stool,
with seat cushioning,
up to 8 are stackable



223/90
Bar stool,
not upholstered,
height-adjustable



223/91
Bar stool,
with seat cushioning,
height-adjustable



222/90
Table, oval,
90 × 180 cm (35½" × 70¾"),
H 73 cm (28¾")



222/72
Side table,
Ø 90 cm (35½"),
H 45 cm (17¾")



222/73
Side table, Three-leg,
Ø 50 cm (19½"),
H 50 cm (19¾")

Occo, Occo SC, Occo bar stool. 222 range. Upholstery options.

Wilkhahn



222/10 Multipurpose chair, not upholstered



222/10 Multipurpose chair, with a felt pad



222/11 Multipurpose chair, with seat cushioning



222/12 Multipurpose chair, with padding on the inside

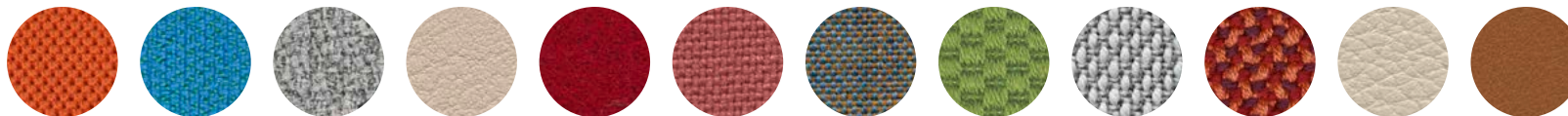


223/10 Bar stool, not upholstered



223/11 Bar stool, with seat cushioning

Upholstery materials (not all upholstery materials apply to all variants)



37 Racer | 38 Era | 54 Pitch | 58 Evida | 60 Blend | 66 Lona | 68 Kvadrat Remix 2 | 69 Granite | 91 Kvadrat Steelcut Trio 3 | 92 Credo | 74 Leather | 87 Leather
See the price list or catalog for details of all upholstery materials and more colors

The digital sample colors differ from the originals.

Occo, Occo SC, Occo bar stool. 222 range. Frame versions.

Wilkhahn

Four-leg frame



222/10 Multipurpose chair, Coated frame, stackable



222/10 Multipurpose chair, Bright chrome-plated frame, stackable



222/20 Multipurpose chair, Solid wood frame, not stackable

Sled (skid) base



222/100 visitor chair, with a black shell and bright chrome-plated frame

Four-star base frame



222/30 Visitor chair, Coated frame, swivel-mounted, not stackable



222/30 Visitor chair, Bright chrome-plated frame, swivel-mounted, not stackable

Five-star base frame on casters



222/40 Task chair, Coated frame, swivel-mounted, not stackable



222/40 Task chair, Bright chrome-plated frame, swivel-mounted, not stackable

Steel base frame surfaces, seat and backrest shells



Black, gray, gray-beige, sienna red, emerald green or white with a textured matte finish

Additional frame surfaces



Tubular steel and steel rod, bright chrome-plated and solid oak

The digital sample colors differ from the originals.
You can find our current fabric collection in our media center.

Occo, Occo SC, Occo bar stool. 222 range. Frame versions.

Wilkhahn

Task chairs with star bases



221/00 with aluminum star base coated black



222/02 with aluminum star base, coated white



222/00 with aluminum bright chrome-plated star base

Counter chairs with star bases



221/51 with high-luster polished aluminum star base



222/52 with high-luster polished aluminum star base

Bar stools



223/10 with bright chrome-plated sled (skid) base



223/21 with a solid wood frame



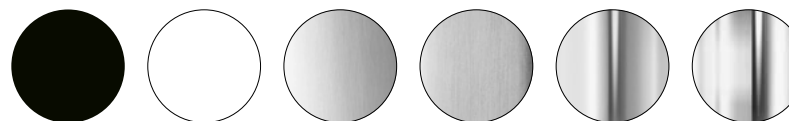
223/90 with a brushed stainless steel base frame

Sled base surfaces, seat and backrest shells



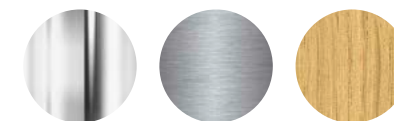
Black, gray, gray-beige, sienna red, emerald green or white with a textured matte finish

Frame surfaces star bases



Coated black or white with a textured matte finish^{1,2}, matte polished^{1,2}, polished², high-luster polished², bright chrome-plated¹
¹Task chairs, ²Counter chairs (also in black plastic)

Additional frame surfaces



Bright chrome-plated tubular steel, Brushed stainless steel, solid oak

The digital sample colors differ from the originals.
 You can find our current fabric collection in our media center.

Occo Conference. 224 range. Backrest heights and frame versions.

Wilkhahn

Four-leg frame



224/13 Upholstered chair, standard height backrest, Bright chrome-plated tubular steel frame

224/24 Upholstered chair, medium-height backrest, Solid wood frame

Sled-base chair



224/104 upholstered chair, medium height backrest, steel rod base frame coated black

Four-star base frame



224/34 Upholstered chair, medium-height backrest, Bright chrome-plated tubular steel frame

Five-star base frame on casters



224/43 Upholstered chair, standard height backrest, Bright chrome-plated tubular steel frame

Four-star base



224/54 Upholstered chair, medium-height backrest, Bright chrome plated, die-cast aluminum frame

Five-star base on casters



224/64 Upholstered chair, medium-height backrest, Bright chrome plated, die-cast aluminum frame

Frame surfaces, Occo Conference, Occo Lounge



Bright chrome-plated tubular steel and steel rod, coated black or white with a textured matte finish, solid oak
Die-cast aluminum coated black or white with a textured matte finish, matte polished or bright chrome-plated

The digital sample colors differ from the originals.
You can find our current fabric collection in our media center.

Occo Lounge. 225 range. Backrest heights and frame versions.

Wilkhahn

Four-leg frame

Sled-base chair

Four-star base frame



225/23 Lounge chair standard height backrest, solid wood base frame



225/104 Lounge chair, medium height backrest, steel rod base frame, coated white



225/53 Lounge chair standard height backrest, with looser-fit upholstery, bright chrome-plated, die-cast aluminum base frame



225/54 Lounge chair, medium height backrest, with looser-fit upholstery, die-cast aluminum base frame coated black

Frame surfaces, Occo Conference, Occo Lounge

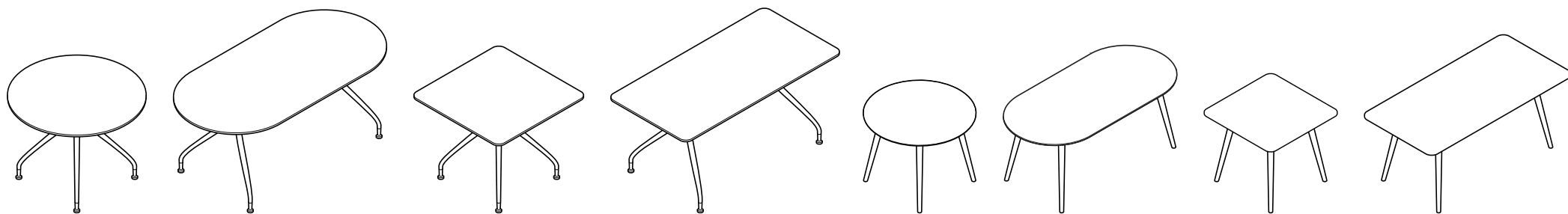


Bright chrome-plated tubular steel and steel rod, coated black or white with a textured matte finish, solid oak
Die-cast aluminum coated black or white with a textured matte finish, matte polished or bright chrome-plated

The digital sample colors differ from the originals.
You can find our current fabric collection in our media center.

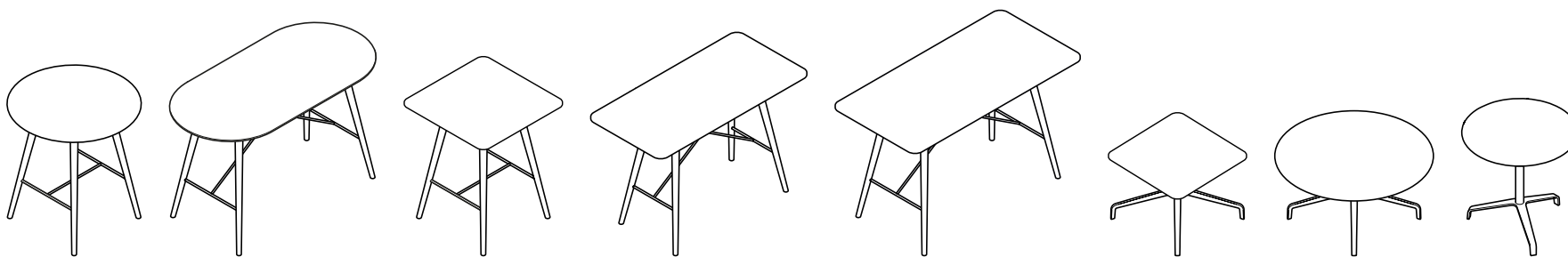
Occo table. 222 range. Product types.

Wilkhahn



Occo table. 222 range. Product types.

Wilkhahn



Occo table. 222 range. Table top types.

Wilkhahn



Solid oak table tops, 25 mm (1") thick, edge rounded on the bottom



Table tops in black, through-dyed HPL (High Pressure Laminate), thickness 12 mm (½"), chamfered edging

Table top groups



Direct coating, black or white through-dyed, veneer variant 1 or 2 (in the case of a solid wood frame, veneer variant 2 isn't possible), solid oak, for further surfaces see the price list or catalog

Edge profiles



Solid wood edging, rounded on the bottom, straight plastic edging, chamfered wood edging or chamfered HPL solid-core edging

The digital sample colors differ from the originals.

Occo table. 222 range. Frame versions.

Wilkhahn



222/81 Table, rectangular, oak base frame
90×190 cm (35 $\frac{3}{8}$ "×74 $\frac{3}{4}$ "), H 73 cm (28 $\frac{3}{4}$ ")

There are round, square, oval and rectangular tables in sitting and standing heights with solid wood base frames to match the solid oak chair frames.



222/81 High table, rectangular, oak base frame
90×190 cm (35 $\frac{3}{8}$ "×74 $\frac{3}{4}$ "), H 106 cm (41 $\frac{1}{4}$ ")

Diagonal stretchers on the rectangular tables and horizontal stretchers made of bright chrome-plated round steel on the round and square tables in standing heights help to reinforce the tapered oak legs.



222/61 High table, square, oak base frame
90×90 cm (35 $\frac{3}{8}$ "×35 $\frac{3}{8}$ "), H 106 cm (41 $\frac{1}{4}$ ")



222/90 Table, oval, tubular steel base frame, bright chrome-plated, 90×180 cm (35 $\frac{3}{8}$ "×70 $\frac{7}{8}$ "), H 73 cm (28 $\frac{3}{4}$ ")

The tubular steel table frames match the design of the star base frames and are optionally available with dark gray glides with a textured matte finish, or lockable casters.



222/72 Side table, round, die-cast aluminum base frame, coated black with textured matte finish, Ø 90 cm (35 $\frac{3}{8}$ "), H 45 cm (17 $\frac{3}{4}$ ")



222/73 Side table, three-leg, round, steel base frame, coated black with textured matte finish, Ø 50 cm (19 $\frac{5}{8}$ "), H 50 cm (19 $\frac{5}{8}$ ")

Frame versions



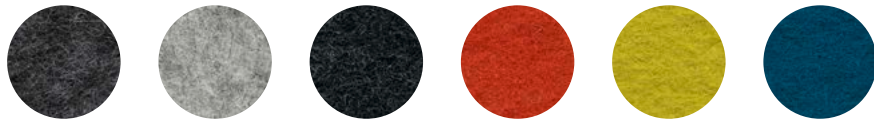
Coated black or white with a textured matte finish, tubular steel and die-cast aluminum also bright chrome-plated, die-cast aluminum also polished, or a solid oak base frame.

The digital sample colors differ from the originals.
You can find our current fabric collection in our media center.

Occo, Occo SC, Occo bar stool. 222 range. Accessories.

Wilkhahn

Felt pads for seat shells with no upholstery



Anthracite, light mottled hue, graphite, mango, verde, deep water



186 Four-wheeled trolley for four-leg models, 222/10, 222/11, 222/12, 221/10, 221/11 and 221/12 (to stack up to 10 chairs without upholstery and up to 6 with seat cushioning and padding on the inside).



221/30 Visitor chair, not upholstered



221/30 Visitor chair, with a felt pad

OCCO. 222 range. Models and dimensions.

Wilkhahn

222/10
Multipurpose chair



222/11
Multipurpose chair



222/12
Multipurpose chair



57
22 7/16"



58
22 13/16"

83
32 11/16"
44
17 5/16"

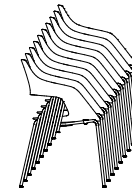


57
22 7/16"

58
22 13/16"



57
22 7/16"



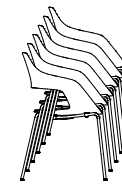
82
32 5/16"

120
47 1/4"

222/10



57
22 7/16"



75
29 1/2"

114
44 7/8"

222/11

222/20
Multipurpose chair



222/21
Multipurpose chair



222/22
Multipurpose chair



57
22 7/16"



55
21 5/8"

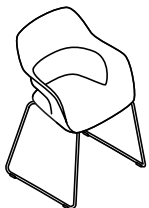
83
32 11/16"
44
17 5/16"



57
22 7/16"

55
21 5/8"

222/100
Multipurpose chair



222/101
Multipurpose chair



222/102
Multipurpose chair



57
22 7/16"



54
21 1/4"

83
32 11/16"
44
17 5/16"



57
22 7/16"

54
21 1/4"

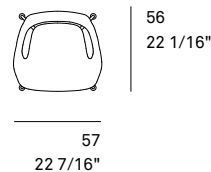
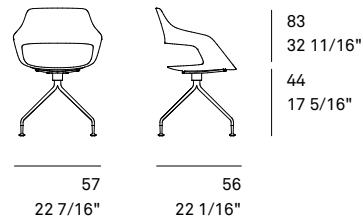
OCCO. 222 range. Models and dimensions.

Wilkhahn

222/30
Visitor chair

222/31
Visitor chair

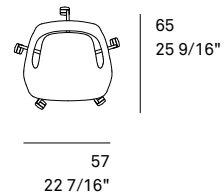
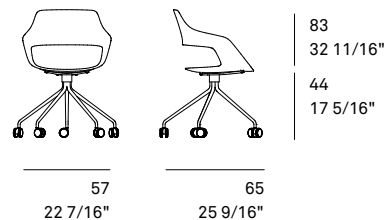
222/32
Visitor chair



222/40
Task chair

222/41
Task chair

222/42
Task chair



OCCO. 222 range. Models and dimensions.

Wilkhahn

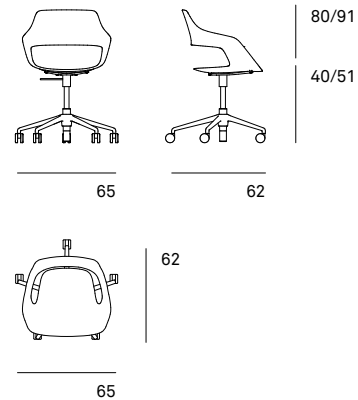
222/00
Task chair,
height-adjustable



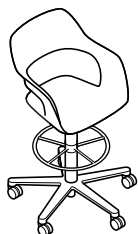
222/01
Task chair,
height-adjustable



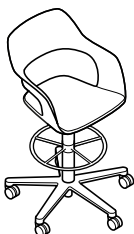
222/02
Task chair,
height-adjustable



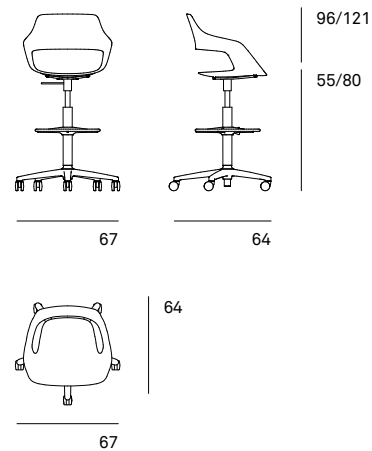
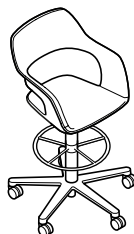
222/50
Counter stool,
height-adjustable



222/51
Counter stool,
height-adjustable











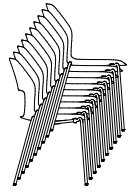

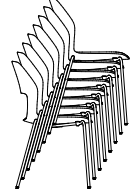









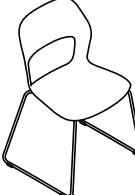







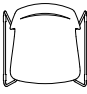


222/52
Counter stool,
height-adjustable



Occo SC. 221 range. Models and dimensions.

Wilkhahn

221/10 Multipurpose chair	221/11 Multipurpose chair	221/12 Multipurpose chair	    55 21 5/8"	    53 20 7/8"	83 32 11/16" 44 17 5/16"	 55 21 5/8"	53 20 7/8"	 55 21 5/8"	 77 30 5/16"	120 47 1/4"	 55 21 5/8"	 77 30 5/16"	126 49 5/8"	221/11
221/20 Multipurpose chair	221/21 Multipurpose chair	221/22 Multipurpose chair	    54 21 1/4"	    56 22 1/16"	83 32 11/16" 44 17 5/16"	 54 21 1/4"	56 22 1/16"							
221/100 Multipurpose chair	221/101 Multipurpose chair	221/102 Multipurpose chair	    55 21 5/8"	    53 20 7/8"	83 32 11/16" 44 17 5/16"	 55 21 5/8"	53 20 7/8"							

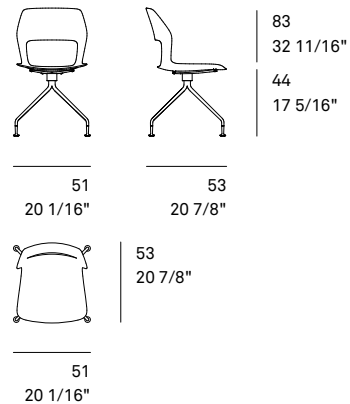
Occo SC. 221 range. Models and dimensions.

Wilkhahn

221/30
Visitor chair

221/31
Visitor chair

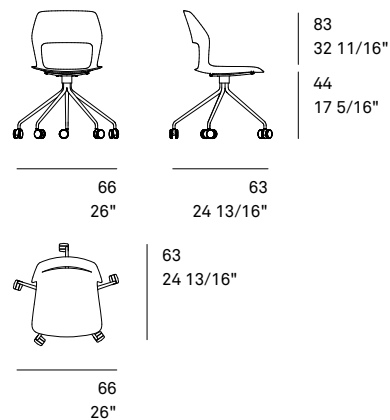
221/32
Visitor chair



221/40
Task chair

221/41
Task chair

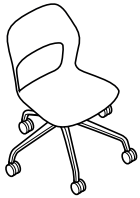
221/42
Task chair



Occo SC. 221 range. Models and dimensions.

Wilkhahn

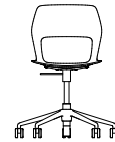
221/00
Task chair,
height-adjustable



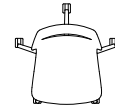
221/01
Task chair,
height-adjustable



221/02
Task chair,
height-adjustable



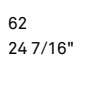
65
25 9/16"



65
25 9/16"



62
24 7/16"

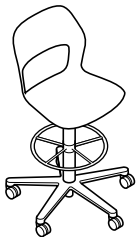


62
24 7/16"

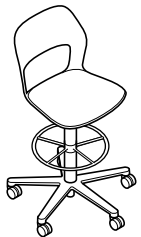
80/91
31 1/2" / 35 13/16"

40/51
15 3/4" / 20 1/16"

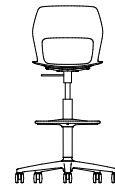
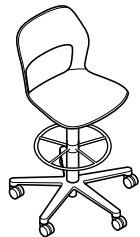
221/50
Counter stool,
height-adjustable



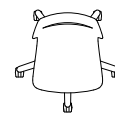
221/51
Counter stool,
height-adjustable



221/52
Counter stool,
height-adjustable



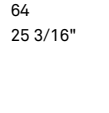
67
26 3/8"



67
26 3/8"



64
25 3/16"



64
25 3/16"

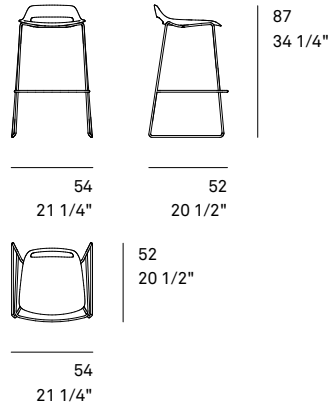
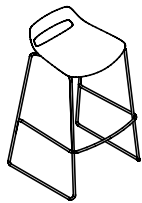
96/121
37 13/16" / 47 5/8"

55/80
21 5/8" / 31 1/2"

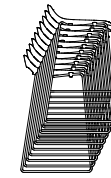
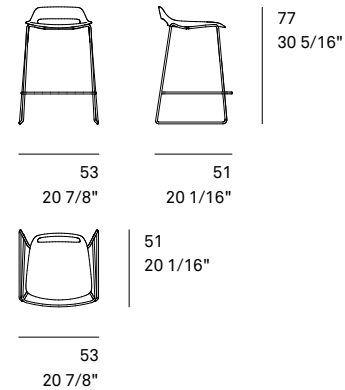
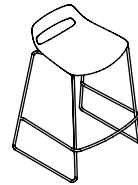
Occo Counter stool. 222 range. Models and dimensions.

Wilkhahn

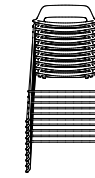
223/10
Bar stool



223/10
Bar stool



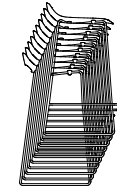
66
26"



53
20 7/8"

111
43 11/16"

223/10



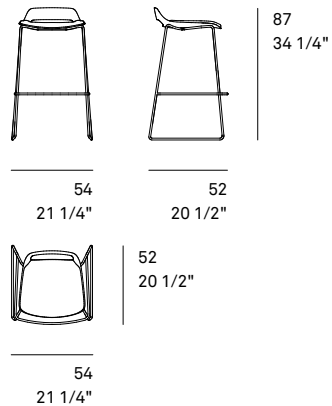
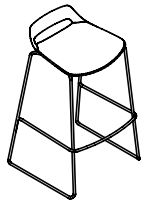
66
26"



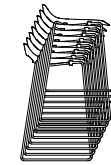
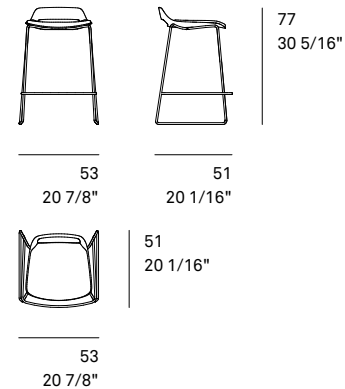
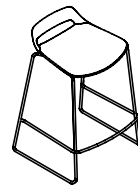
54
21 1/4"

121
47 5/8"

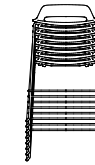
223/11
Bar stool



223/11
Bar stool



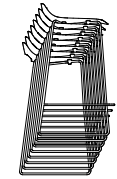
66
26"



53
20 7/8"

103
40 9/16"

223/11



66
26"



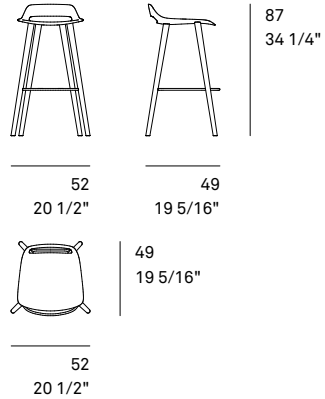
54
21 1/4"

113
44 1/2"

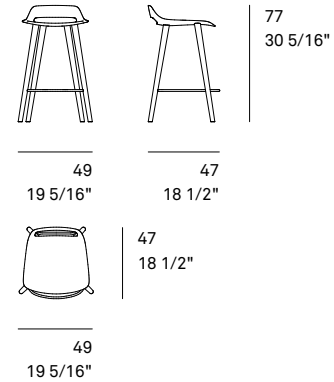
Occo Counter stool. 222 range. Models and dimensions.

Wilkahn

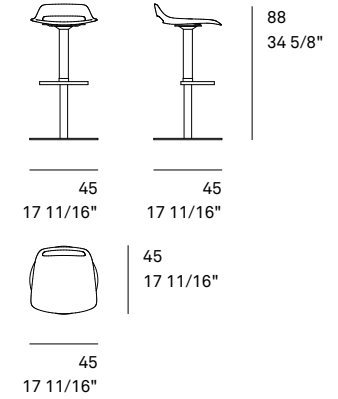
223/20
Bar stool



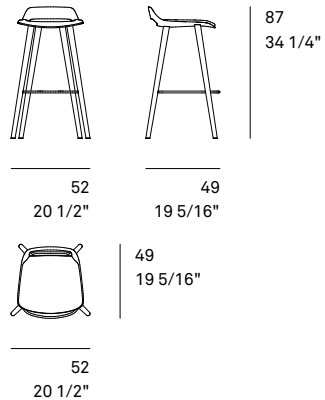
223/20
Bar stool



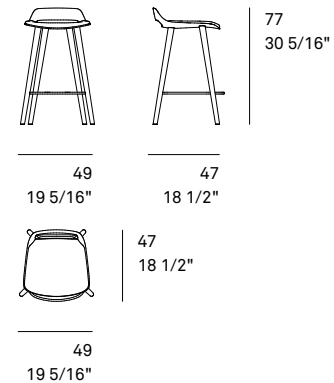
223/90
Bar stool,
height-adjustable



223/21
Bar stool



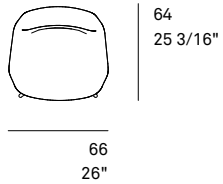
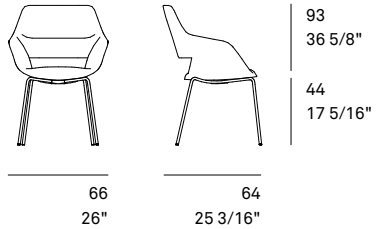
223/21
Bar stool



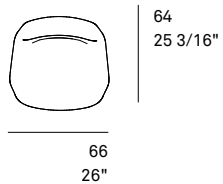
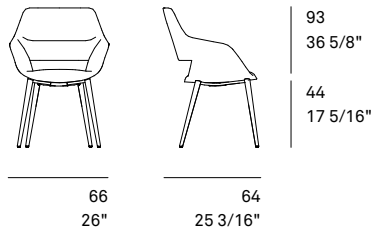
Occo Conference. 224 range. Models and dimensions.

Wilkhahn

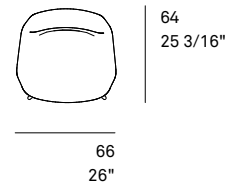
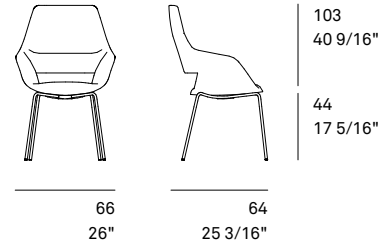
224/13
Upholstered chair



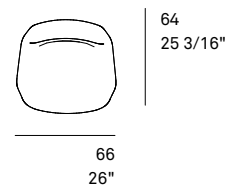
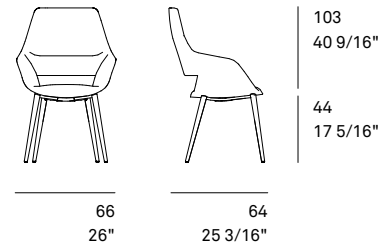
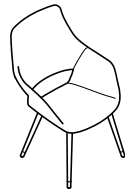
224/23
Upholstered chair



224/14
Upholstered chair



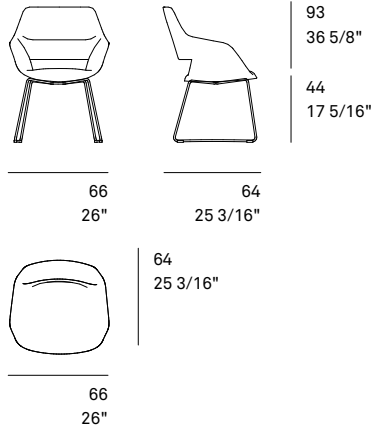
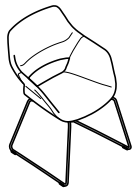
224/24
Upholstered chair



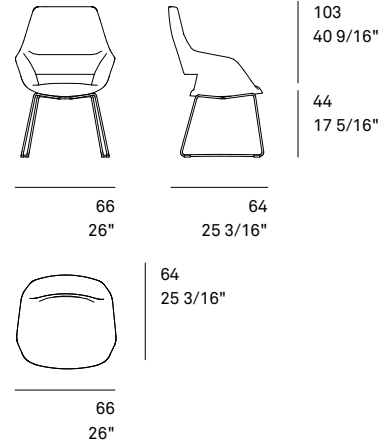
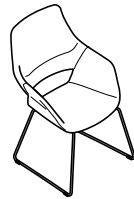
Occo Conference. 224 range. Models and dimensions.

Wilkhahn

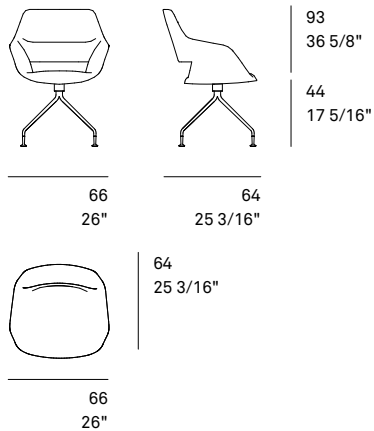
224/103
Upholstered chair



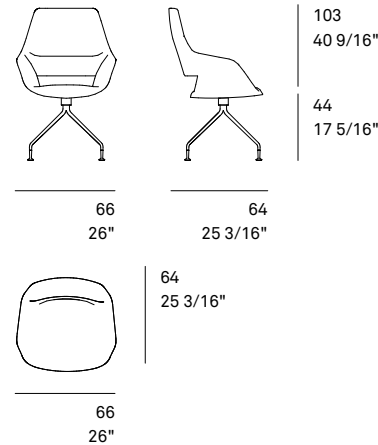
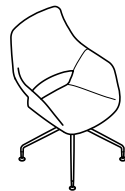
224/104
Upholstered chair



224/33
Upholstered chair



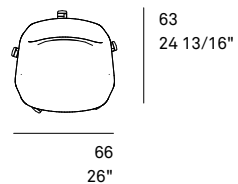
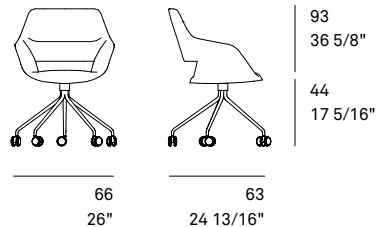
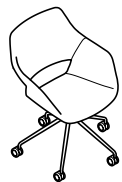
224/34
Upholstered chair



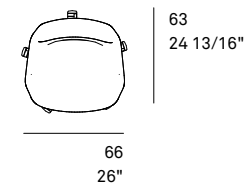
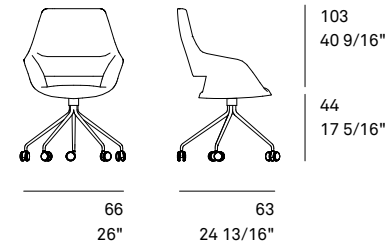
Occo Conference. 224 range. Models and dimensions.

Wilkhahn

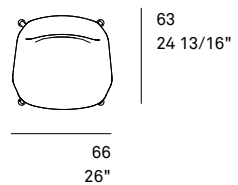
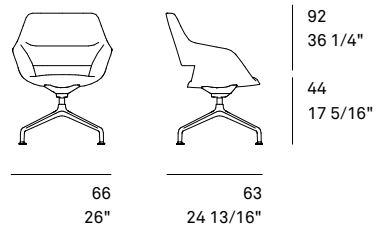
224/43
Upholstered chair



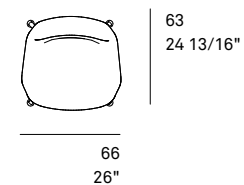
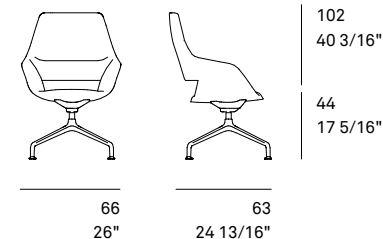
224/44
Upholstered chair



224/53
Upholstered chair



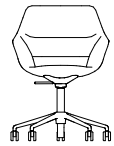
224/54
Upholstered chair



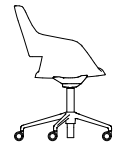
Occo Lounge. 225 range. Models and dimensions.

Wilkhahn

224/63
Upholstered chair
height-adjustable



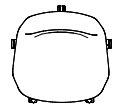
66
26"



63
24 13/16"

98/108
38 9/16" / 42 1/2"

39/49
15 3/8" / 19 5/16"



66
26"

63
24 13/16"

224/64
Upholstered chair
height-adjustable



66
26"



63
24 13/16"

98/108
38 9/16" / 42 1/2"

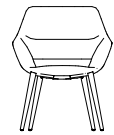
39/49
15 3/8" / 19 5/16"



66
26"

63
24 13/16"

225/23
Lounge chair



66
26"



68
26 3/4"

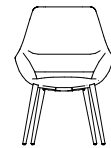
80
31 1/2"
41
16 1/8"



66
26"

68
26 3/4"

225/24
Lounge chair



66
26"



71
27 15/16"

90
35 7/16"
41
16 1/8"



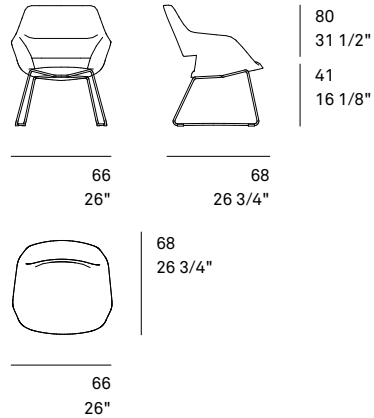
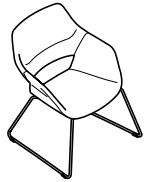
66
26"

71
27 15/16"

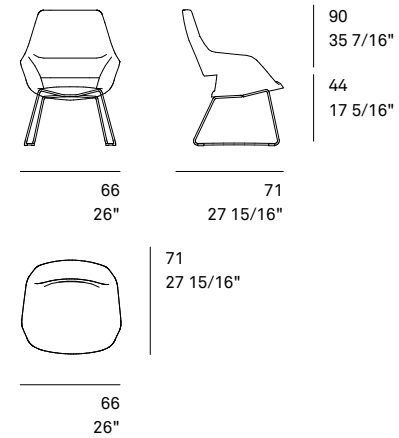
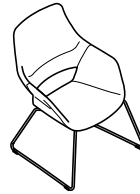
Occo Lounge. 225 range. Models and dimensions.

Wilkhahn

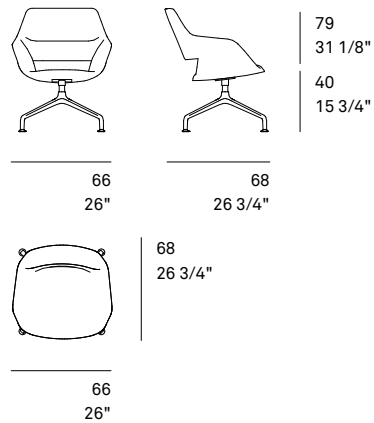
225/23
Lounge chair



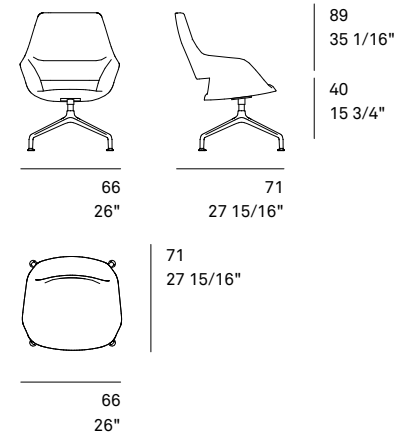
225/24
Lounge chair



225/53
Lounge chair



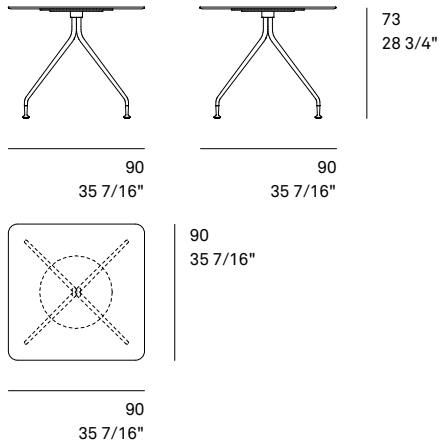
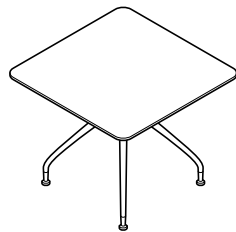
225/54
Lounge chair



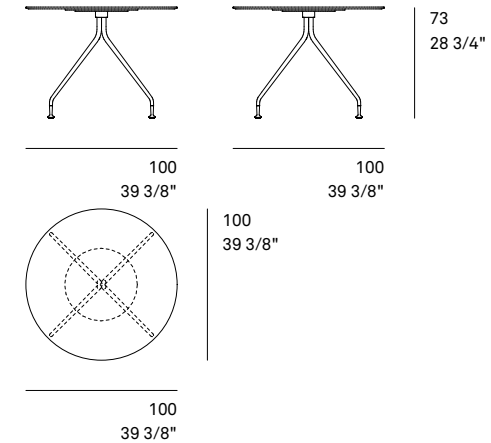
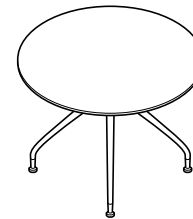
Occo Table. 222 range. Models and dimensions.

Wilkhahn

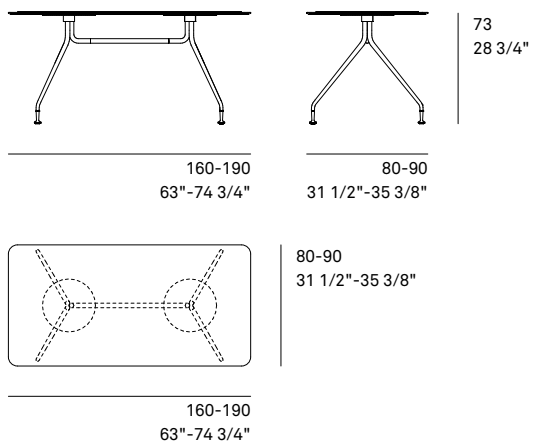
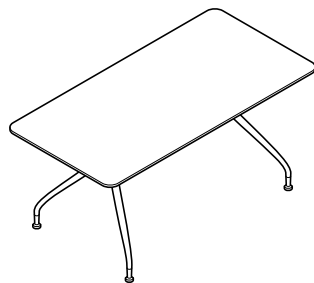
222/60
Square



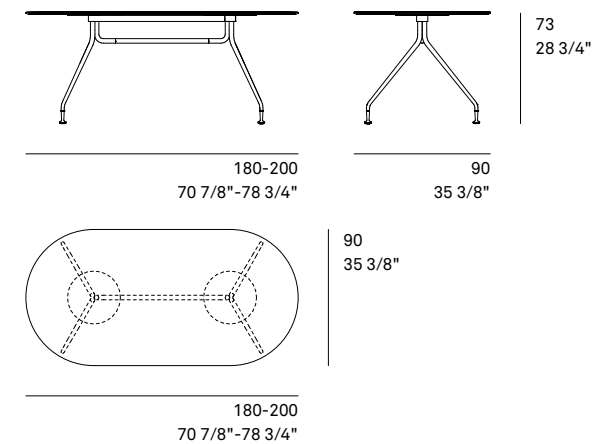
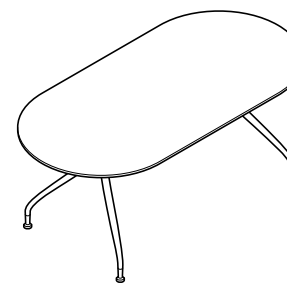
222/70
Round



222/80
Rectangular



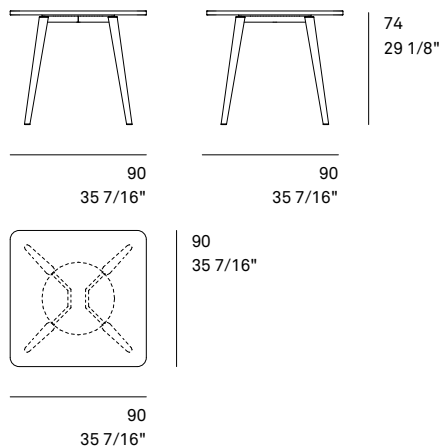
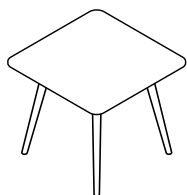
222/90
Oval



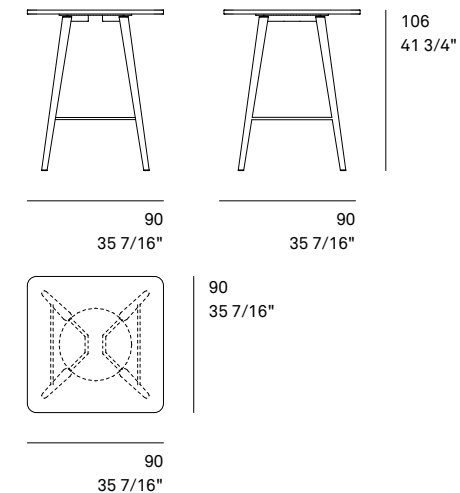
Occo Table. 222 range. Models and dimensions.

Wilkhahn

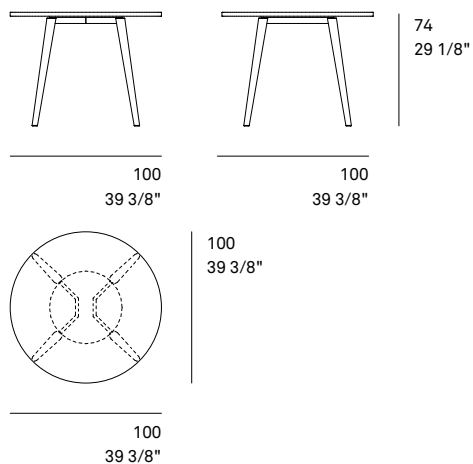
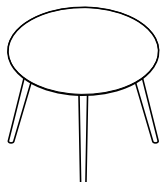
222/61
Square



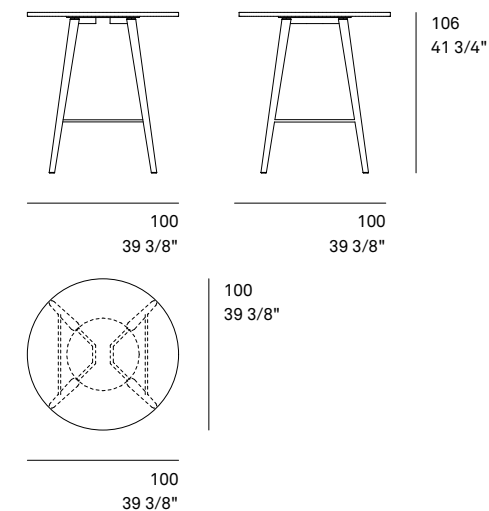
222/61
Square



222/71
Round



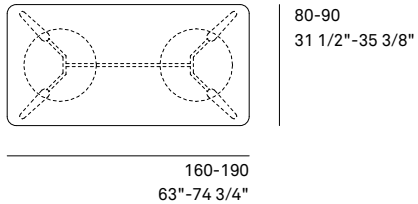
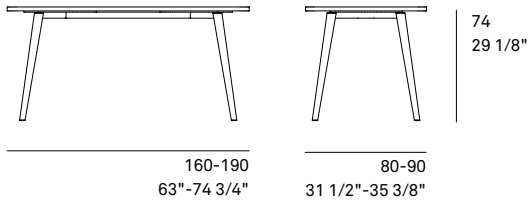
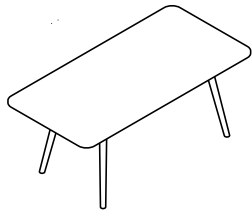
222/71
Round



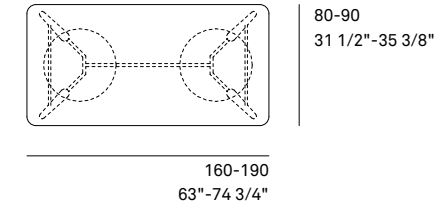
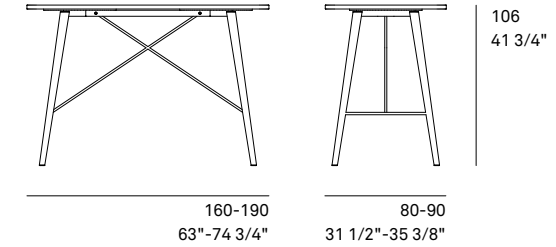
Occo Table. 222 range. Models and dimensions.

Wilkhahn

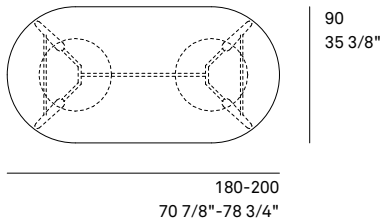
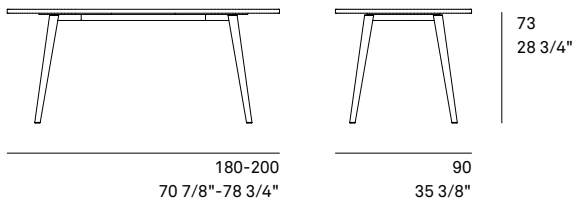
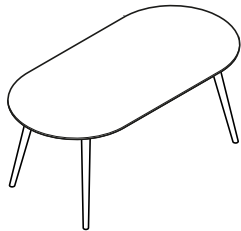
222/81
Rectangular



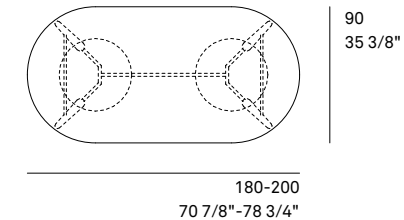
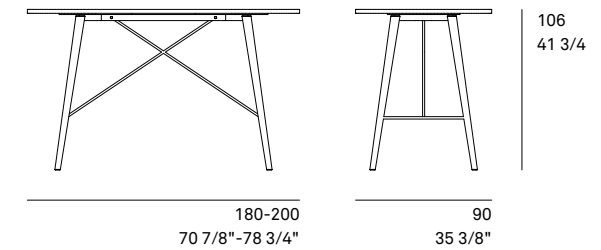
222/81
Rectangular



222/91
Oval



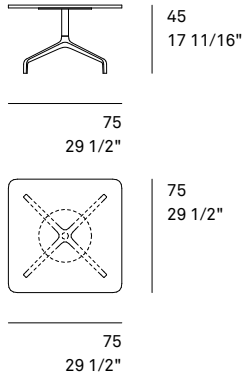
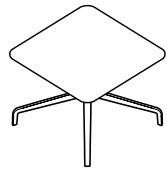
222/91
Oval



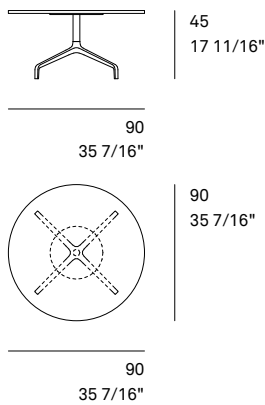
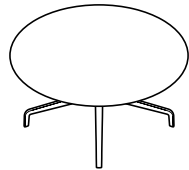
Occo Table. 222 range. Models and dimensions.

Wilkhahn

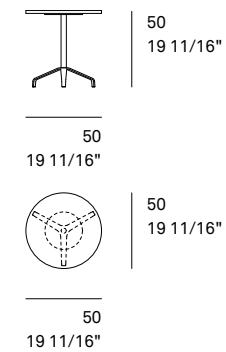
222/62
Square



222/72
Round

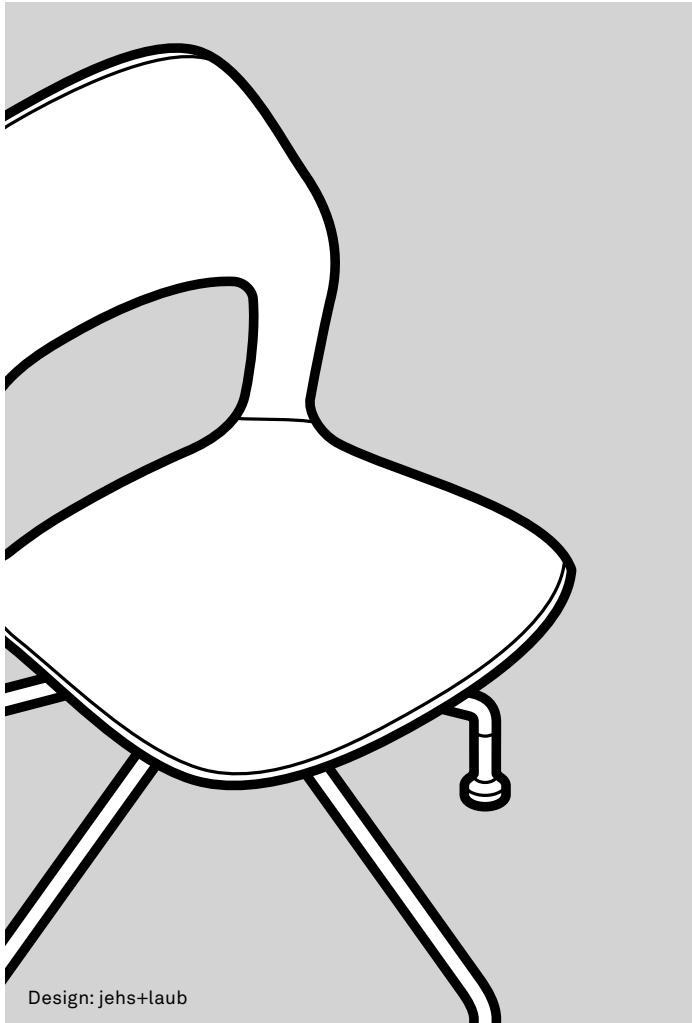


222/73
Round



Occo, Occo SC, Occo counter stool. 222 range. Technical details.

Wilkhahn



Design: jehs+laub

Technical details

Function

Occo offers superior comfort, enormous versatility and a vast range of design options in a distinctive design language. It's ideal for conference rooms, open-plan meeting areas, cafés, co-working spaces or in homes.

Chairs

Frame

Four-leg frame models 221/10, 221/11, 221/12, 222/10, 222/11, 222/12

Tubular steel frame, stackable (except for model 222/12), with a textured matte finish in white, black, gray, gray-beige, emerald green, sienna red or bright chrome-plated. Up to 10 versions without upholstery can be stacked, and 8 with padding on the seat and on the inside. Please note: The leather-cover version is not stackable. Stacking versions with coated frames can cause color to rub off, which is not covered by our guarantee. We recommend chrome-plated frames for this purpose. Models 221/10 and 222/10 (shell without upholstery) with four separators made of PUR and frame cover made of plastic (PP), each in dark gray. Remove the optional felt pad before stacking because permanent pressure marks can otherwise occur. Models 221/11, 221/12, 222/11 and 222/12 with stacking guard made of plastic (PP) in dark gray. Tubular steel frame, stackable (except for model 222/12), with a textured matte finish in white, black, gray, gray-beige, emerald green, sienna red or bright chrome-plated. Up to 10 versions without upholstery can be stacked, and 8 with padding on the seat and on the

inside. Please note: The leather-cover version is not stackable. Stacking versions with coated frames can cause color to rub off, which is not covered by our guarantee. We recommend chrome-plated frames for this purpose.

Four-leg frame models in solid wood

221/20, 221/21, 221/22, 222/20, 222/21, 222/22

Seat bearer made of tubular steel in dark gray with a textured matte finish to fit onto the seat shell and to attach the four legs made of solid oak with a natural oiled finish.

Sled (skid) base models

221/100-102 and 222/100-102

Sled (skid) base made of steel rod, 12 mm in diameter, coated with a textured matte finish in white, black, gray, gray-beige, emerald green or sienna red or bright chrome plated. All base frames are coated, bright chrome-plated base frames optionally with multipurpose glides made of black polyamide. Models 221/100, 221/101 and 221/102 optionally with inline connectors made of black, through-dyed polyamide including multipurpose glides, optionally with an extra felt insert for flooring that easily scratches (e.g. stone, parquet).

Four-star base models 221/30, 221/31, 221/32, 222/30, 222/31, 222/32, five-star base models 221/40, 221/41, 221/42, 222/40, 222/41, 222/42

Butted tubular steel frame with a textured matte finish coated in white, black, gray, gray-beige, emerald green, sienna red or bright chrome-plated with seat bearer made of molded flat steel in dark gray with a textured matte finish to attach to the shell.

In the case of four-star base frames, the steel glides are in dark gray with a textured matte finish.

Four-leg and four-star base models are fitted with multipurpose glides for soft and hard floorings. For sensitive flooring, please order with extra felt glides (at no additional charge).

Five-star base models 221/40, 221/41, 221/42, 222/40, 222/41, 222/42 with twin-wheel swivel casters, load-dependent braking, made of black polypropylene compliant with DIN EN 12529 as the standard version for carpets, optionally with gray tire made of polyurethane for hard flooring.

Subject to change.

Occo, Occo SC, Occo counter stool. 222 range. Technical details.

Wilkhahn

Five-star base models 221/00, 221/01, 221/02, 222/00, 222/01, 222/02

Five-star base made of die-cast aluminum with a textured matte finish, coated in white or black, matte polished or with bright chrome plating, with swivel-mounted gas lift column and a lever allows the height to be precision adjusted, seat bearer made of molded flat steel in dark gray, optionally with active rocking technology, can be locked in a horizontal neutral 0 position, with a die-cast aluminum housing, matte polished or high-luster polished.

Compliant with DIN EN 1335 and ANSI/BIFMA X 5.1 with twin-wheel swivel casters with load-dependent braking made of black polyamide compliant with DIN EN 12529, as the standard version for carpets; with gray polyurethane tyre for hard flooring.

Counter stool base frame models 221/50, 221/51, 221/52, 222/50, 222/51, 222/52

Five-star base made of black through-dyed, fiberglass-reinforced polyamide, optionally of die-cast aluminum, coated, polished or high-luster polished, with multipurpose twin-wheel swivel casters with load-dependent braking.

Swivel-mounted, black gas lift, height-adjustable with a black lever, with a height-adjustable, bright chrome-plated foot ring and lock screw to keep it in place.

Seat bearer made of molded flat steel in dark gray.

Sled (skid) base bar stools, models 223/10, 223/11

Sled (skid) base, stackable when not upholstered, with steel rod footrest, 12 mm diameter, with a textured matte finish coated in white, black, gray, gray-beige, emerald green, sienna red or bright chrome-plated.

Please note: Stacking versions with coated frames can cause color to rub off, which is not covered by our guarantee. We recommend chrome-plated frames for this purpose.

Height-adjustable bar stools with a column foot, models 223/90, 223/91

Brushed, stainless steel disc base, swivel-mounted column with encapsulated gas lift and precision-adjustable height, brushed stainless steel footrest and lever. Seat bearer made of molded flat steel in dark gray.

Bar stools in solid wood, four-leg frame models 223/20, 223/21

Seat bearer made of tubular steel in dark gray with a textured matte finish to fit onto the seat shell and to attach the four legs made of solid oak with a natural oiled finish. With tubular steel footrest, bright chrome-plated

Seat and backrest

Unitary, ergonomically molded seat shell with cut-out section, made of reinforced through-dyed polypropylene optionally in white, black, gray, gray-beige, emerald green or sienna red. Models without upholstery optionally with a felt seat cushion with non-slip coating. In a light mottled hue, anthracite, graphite, mango, verde, deep water. All upholstery in models with seat upholstery or padding on the inside is made of cut foam.

Standards

The Occo multipurpose chairs with four-leg frames comply with the DIN EN 16139-L1 office chair standard.

In compliance with the DIN EN 16139 office chair standard, 7 chairs can be stacked vertically. The ANSI/BIFMA X 5.1 standard is complied with.



Please note

To ensure quality is maintained, we don't offer white leather (74/72). All other standard leather colors are possible.

When exposed to ultra violet rays for long periods of time, the colors of plastics can change slightly. Due to the nature of the material, there are slight differences in the color between white table tops with bonded surfaces and HPL table tops and the white Occo plastic chairs.

Felt is a natural product. Therefore, there can be differences in the color. These differences are not a justified reason for complaint but underscore the material's uniqueness.

Information

Five-star base frames are fitted with casters for soft floorings. Please order with soft casters (at no additional charge) for hard flooring (e.g. stone, parquet)

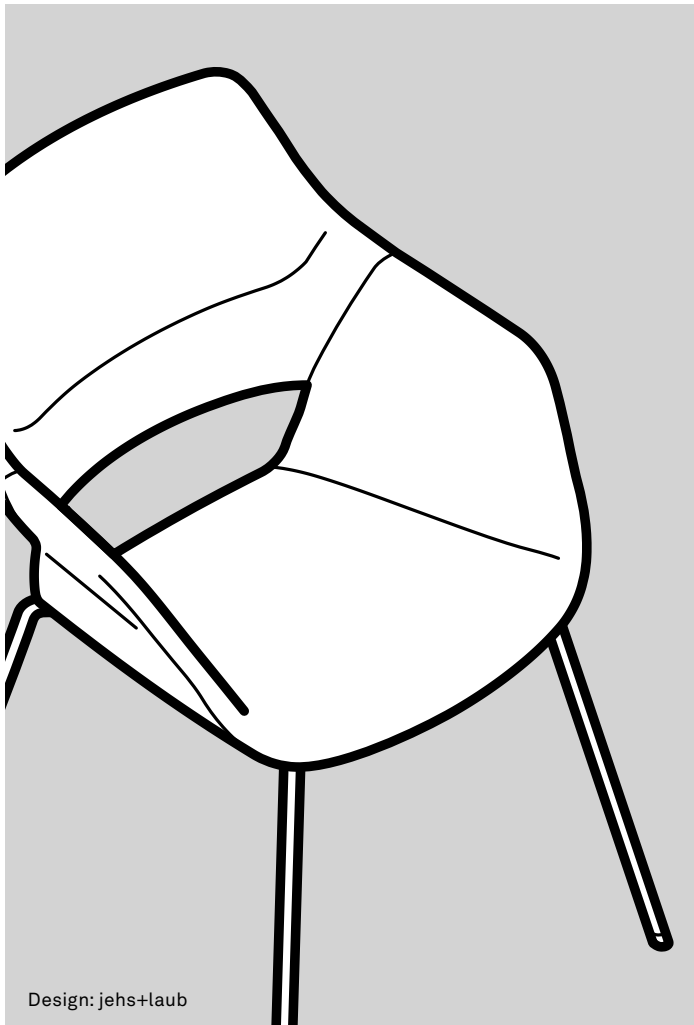
Information

All chairs are fitted with multipurpose glides for soft and hard floorings, in the case of sensitive floorings please order with extra felt glides (at no extra charge).

Occo Conference, Occo Lounge.

224/225 range. Technical details.

Wilkhahn



Design: jehs+laub

Technical details

Function

A versatile chair range in a high-quality design, with six types of frame, two backrest heights, two types of upholstery and a wide range of covers, configurable for all sorts of different areas ranging from lounges where people work, areas in the middle of rooms, workspaces, meeting spaces and conference rooms, as well as company restaurants, bistros and dining rooms, or also lobbies, cozy spaces with fireplaces or TV areas. Excellent ergonomics and superb comfort due to upholstered areas with different levels of firmness. Fully upholstered seat body with integrated armrest pads and a distinctive cut-out section between the seat and the backrest to marry a lightweight appearance with the comforting appeal of a shell chair. With replaceable covers, whose stitching and clamps trace the three-dimensional contours and zones of the upholstered component precisely and in a form-fit way.

Frame

Four-leg frame, steel, models 224/13, 224/14

Tubular steel frame, 18 mm in diameter, with a textured matte finish coated in white or black or with bright chrome plating.

Solid wood four-leg frame, models 224/23, 224/24, 225/23, 225/24

Tubular steel seat bearer in dark gray with a textured matte finish to attach the seat shell and the four tapered legs made of solid oak with a natural oiled finish. In the 225 range lounge models, the seat shell can be tilted backward by 8°.

Sled (skid) base made of steel rod, 12 mm in diameter, coated with a textured matte finish in white, black, gray, gray-beige, emerald green or sienna red or bright chrome plated.

All base frames are coated, bright chrome-plated base frames optionally with multipurpose glides made of black polyamide.

Lounge models 225/104 and 225/104 tilted back by 8°.

Four-star base frame, models 224/33, 224/34

Butted tubular steel frame, with a textured matte finish, coated in white or black or with bright chrome plating, with steel glides in dark gray with a textured matte finish, with multipurpose glides for soft and hard flooring, for sensitive flooring, please order with extra felt glides (at no additional charge).

Five-star base frame, models 224/43, 224/44

Butted tubular steel frame, with a textured matte finish, coated in white or black or with bright chrome plating with twin-wheel swivel casters with load-dependent braking, made of black polyamide, compliant with DIN EN 12529 as the standard version for carpets, optionally available with gray polyurethane tire for hard flooring.

Four-star base, models 224/53, 224/54, 225/53, 225/54

Four-star base made of die-cast aluminum with a textured matte finish, coated white or black, matte polished or with bright chrome plating, with a swivel-mounted stainless steel column (optionally with swivel-return mechanism), in the 225 range lounge models, the seat shell can be tilted 8° backward.

Models 224 with active rocking technology, a lever locks it in a horizontal 0 position, with die-cast aluminum, matte-polished body. Black, multipurpose glides made of plastic for all types of flooring. Optionally with base glides with a larger contact area for sensitive floorings, either to match the star base with a textured matte finish, coated white or black, matte chrome-plated (matte-polished star base) or bright chrome plated (with a bright chrome-plated star base). Black polyamide glides for carpets. For hard floors (e.g. stone), please order with soft TPU, for wooden floors (e.g. parquet) with additional felt. These glides change the models' sitting height from 224 to 44 cm.

Models 224 optionally, compliant with DIN EN 1335 and ANSI/BIF-MA X 5.1, with twin-wheel swivel casters with load-dependent braking made of black polyamide compliant with DIN EN 12529, as the standard version for carpets, with gray polyurethane tire for hard flooring. The casters change the seating height to 45 cm.

Subject to change.

Occo Conference, Occo Lounge.

224/225 range. Technical details.

Wilkhahn

Five-star base, models 224/63, 224/64

Five-star base made of die-cast aluminum with a textured matte finish, coated in white or black, matte polished or with bright chrome plating, with swivel-mounted gas lift column and active rocking technology, a lever allows the height to be precision adjusted and locked in a horizontal neutral 0 position, with a die-cast aluminum housing, matte polished. Compliant with DIN EN 1335 and ANSI/BIFMA X 5.1 with twin-wheel swivel casters with load-dependent braking made of black polyamide compliant with DIN EN 12529, as the standard version for carpets; with grey polyurethane tyre for hard flooring.

Seat and backrest

Unitary seat shell with integrated armrests and backrest shell, each made of molded plywood, fully padded and covered with PUR molded foam, in different levels of firmness depending on the are upholstered. Seat and backrest shell joined with concealed screws. Covers with contour-creating stitching in the seat and backrest, fixed to the upholstery with clamps, replaceable.

Standards

The models with four-leg frames, five-star bases and star bases comply with DIN EN 16139, DIN EN 1728 and ANSI/BIFMA X 5.1 (currently undergoing testing).

Information

To ensure quality is maintained we don't offer white leather (74/72). All other standard leather colors are possible.

Looser fit upholstery is exceptionally soft and comfortable upholstery that yields to a greater extent when a load is placed on it.

This effect is achieved by applying more material and less tension in the fabric and leather covers.

The nature of this sophisticated upholstery method causes more creases to form. Therefore, we do not accept this occurrence as a justified reason for complaint.

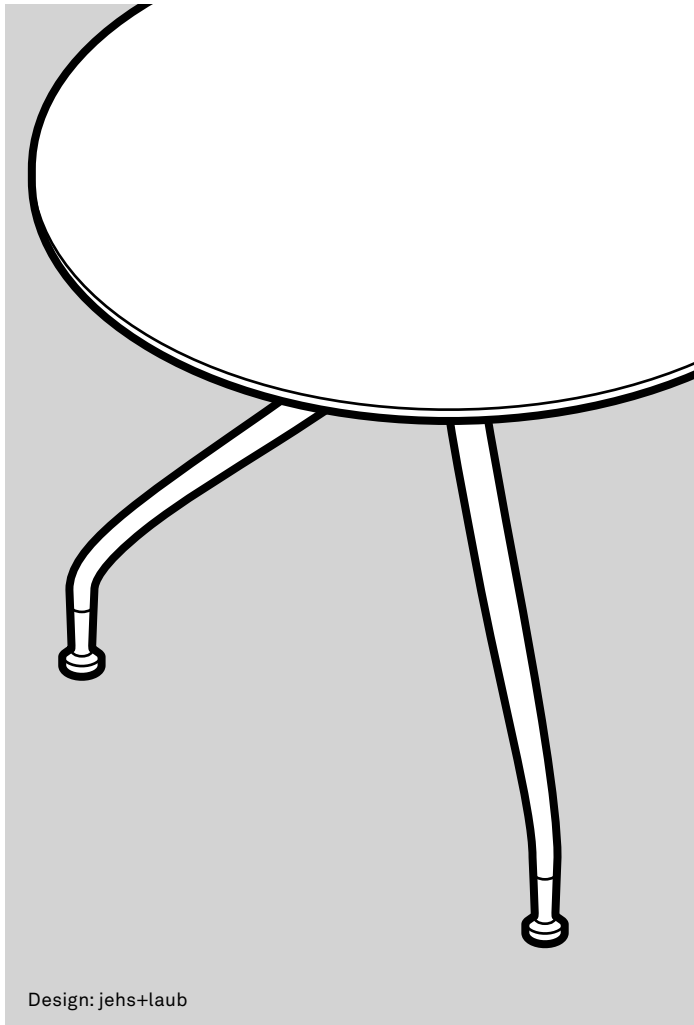
Looser fit upholstery is exceptionally soft and comfortable upholstery that yields to a greater extent when a load is placed on it.

This effect is achieved by applying more material and less tension in the fabric and leather covers.

The nature of this sophisticated upholstery method causes more creases to form. Therefore, we do not accept this occurrence as a justified reason for complaint.

Occo Table. 222 range. Technical details.

Wilkhahn



Design: jehs+laub

Technical details

Tables

Frame

Models 222/60 and 222/70 with four-star base table legs
made of butted tubular steel, optionally coated with a textured matte finish in black or white or bright chrome plating.

Models 222/61, 222/71, 222/81, 222/91
with a four-leg frame, solid oak, with a natural oiled finish.

Models 222/61 and 222/71

in standing height with a horizontal stretcher made of bright chrome-plated round steel. With multipurpose glides for soft and hard floorings. In the case of wooden floorings (e.g. parquet) please order with extra felt glides (at no additional charge).

Models 222/62 and 222/72

side-table height with a four-star base made of die-cast aluminum with a textured matte finish, coated white or black, matte polished or with bright chrome plating, with a table column complete with textured matte finish in black or coated white when the star base is white. Black, multipurpose glides made of plastic for all types of flooring.

Model 222/73

in side-table height with a three-star base made of flat steel and table column made of tubular steel, coated white or black with a textured matte finish, with round steel flange, coated black. Multipurpose glides made of black polypropylene

Models 222/80 and 222/90

Table legs are connected by a crossbeam. Models as of 90 x 180 cm include an extra reinforcement underframe in dark gray with a textured matte finish. All table top bearers and glides made of steel in dark gray with a textured matte finish. With multipurpose glides for soft and hard floorings. In the case of wooden floorings (e.g. parquet) please order with extra felt glides (at no extra charge). Adjustment range: 10 mm. Optional lockable, height-adjustable, swivel casters with a black polyamide tire as the standard version for carpets; with a polyurethane tire for hard floors (please specify when ordering).

Models 222/81 and 222/91

in standing height with a center underframe and diagonal stretcher made of bright chrome-plated round steel.

Core panels on table top, table top group 2 – veneer variant 1 and 2

MDF (medium density fiberboard), table top thickness 26 mm

Variant 1:

Beech or oak veneer from the Wilkhahn woodstain color samples with chamfered wood edging, color-matched as far as possible with the veneer. Models 222/61, 222/71, 222/81 and 222/91 only available with oak veneer.

Variant 2:

(only models 222/60, 222/70, 222/80, 222/90) walnut or elm veneer from the Wilkhahn woodstain color samples with chamfered wood edging, color-matched as far as possible with the veneer.

Subject to change.

Occo Table. 222 range. Technical details.

Wilkhahn

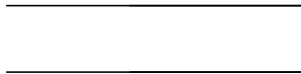
Side-table heights that can be ordered: 46 cm and 51 cm, table height 74 cm, standing height 106 cm



E2 – 5 chamfered wood lipping, 12 mm

Table top group 5 – with bonded surface

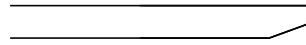
Table top thickness 25 mm thick, with a bonded melamine resin surface in white or black with straight plastic edging, color matched with the surface. Heights that can be ordered: 46 cm and 51 cm, table height 74 cm, standing height 106 cm



E2 – 3 straight plastic lipping

Table top group 7 - black/white through-dyed

Table top thickness 12 mm, made of through-dyed HPL (High Pressure Laminate) in black or white, with chamfered edging. Side-table heights that can be ordered: 45 cm and 50 cm, table height 73 cm, standing height 105 cm



E5 – 1 HPL-solid-core, chamfered lipping, 4 mm radius

Table top group 10 – solid wood

Table top thickness 25 mm, solid oak from the Wilkhahn woodstain color samples, natural oiled finish, edging, rounded on the bottom. Heights that can be ordered: 46 cm and 51 cm, table height 74 cm, standing height 106 cm



E4 – 1 solid wood, rounded on the bottom

Information

Due to the nature of the material, there are slight differences in the color between white table tops with bonded surfaces and HPL table tops and the white Occo plastic chairs.

Occo. Environment and product.



The modular Occo chair family for plenty of functionality and design options.

The Occo range was designed to be a modular solution from the outset. Two types of shell in six colors, four types of upholstery and four frame variants produce 192 different models, where the frames and shells are attached to one another with screws. Very few tools and components are required to create tailor-made chairs in lots of designs and with superior functionality. What's more, the chair's shape and shells' distinctive cut-out sections make this very comfortable seating without the need for any complex mechanical parts or thick upholstery. The non-slip felt pad, or the upholstery element, which is attached to the seat and the backrest, is easily replaceable should it get damaged or too dirty. Each of the components complies with all the typical Wilkhahn requirements when it comes to an ecologically responsible design concept.

The design is timeless and doesn't follow what's currently in vogue. The chairs are easy to clean, very comfortable (even without upholstery) and have hard-wearing finishes. As a result, they will last and last.

The base frames are made of coated, or bright chrome-plated tubular steel, and primarily of recycled materials. Or they come in oiled, solid oak, a renewable resource. Depending on the type of base frame, plastic glides and swivel casters made of polypropylene, or steel glides coated gray with an embedded plastic base are used, which are also easy to recycle.

The unitary seat and backrest shells are made of reinforced, through-dyed polypropylene, which is fully recyclable. The upholstery element is made of covered thin molded plywood with cut foam. Depending on requirements and preferences, the covers come in natural materials, recyclable synthetic fibers, or leather that has been tanned and dyed in an eco-friendly manner.

As a result, Occo is a lightweight companion in today's homes and workplaces that is easy to adapt again and again.

Wilkhahn

Milestones of socio-ecological development at Wilkhahn

- 2019 and 2020 Presented with the Architects' Darling Award as a winner of the cradle-to-cradle challenge
- 2018 Wilkhahn receives the B.A.U.M. environmental prize and an award from the Lower Saxony Alliance for Sustainability.
- 2013 The company is connected to the district heating grid of a biogas plant nearby
- 2012 The ON office chair is presented with the Federal Ecodesign Award
- 2009 Wilkhahn signs a framework agreement with German trade union BHI (Building and Woodworkers International) on worldwide compliance with core ILO labor standards at Wilkhahn and its suppliers via in-house controls and external monitoring by German trade union IG Metall.
- 2008 A combined heat and power plant based on renewables is commissioned.
- 2001 First company in the state of Lower Saxony with EMAS 2 European environmental standard certification.
- 2000 Publishes one of the first medium-sized business reports on sustainability
- 1997 Corporate Conscience Award from the Council on Economic Priorities, New York
- 1996 German Environmental Prize from the German Environmental Foundation
- 1992 The first ecologically designed production facilities with a photovoltaic roof and launch of the first office chair range to be developed based on the ecological design concept.
- 1989 Mission statement on ecological changes at Wilkhahn: "The administrative and management board have jointly decided to take ecological concerns seriously and to place greater emphasis on them than a quick profit".

Awards



reddot award 2017
winner

Not all the awards apply to all variants.

Occo. Product responsibility.

Wilkhahn

Our antidote to the throw-away society is to provide products where form, function and materials have a purpose and are long lasting. Our product responsibility concept therefore follows well-defined guiding principles.



1. Avoid waste – “the longer and better”

is the remit to our product development team. We achieve this thanks to:

- useful innovations that make life easier and more pleasant in the long term;
- durable quality of materials, surfaces and technical solutions, which guarantees quality, even years later;
- distinctive, timeless and appealing designs with the potential to become classics;



2. Reduce – “less is more”

is more than just a design principle to us, it means:

- we cut down on the materials used in order to make handling easier and to preserve resources;
- we use energy in manufacturing efficiently, for example by drawing on district heating and heat recovery in manufacturing;
- we reduce emissions, by utilizing solar power and climate-neutral energy sources (cutting CO₂).



3. Recover – “Reuse + Recycle”

In this case, the goal is to continue to use the whole product or parts of it and recycle it at the end:

- Because the products are modular, expendable parts can be exchanged and features added or retrofitted (e. g. armrest types, covers, cushions, surfaces).
- Connecting points in the product can be dismantled for easy repair.
- Where possible, we use pure materials that are marked as such, making them ideal for recycling.



4. Fairness – responsibility all along the line

At Wilkhahn, environmental and social responsibility have an equal weighting. Health and safety, training, active participation by and fair pay for employees are integral to our corporate culture. As a result, we actively encourage our suppliers and customers worldwide to improve working conditions. Which is why Wilkhahn joined Global Compact and signed an international framework agreement with the International Labor Organization (ILO) on global recognition and fostering of employee interests.

Occo. Environmental product information.

Guiding principles.

Honest product design

We strive to develop durable products, increase their utility value and reduce waste. "Less is more" or "reduce to the max" are principles that Wilkhahn constantly reinterprets for the future. Ecological design guidelines are integral components of Wilkhahn product development.

A spirit of fairness

We focus on people. This implies a collaborative management style which sees employee representatives as co-managers who help shape the company. The workforce's participation in the company's success, the development of new styles of working with semi-autonomous groups and project work, as well as an established health-management system are expressions of Wilkhahn's social approach.

Ecological responsibility

Wilkhahn supports sustainable development. The balance we seek to strike between financial, ecological, social and cultural objectives in order to maintain independence defines Wilkhahn's corporate culture. Compliance with ecological quality criteria throughout the product life cycle is one of the ways we gauge our own success.

Responsibility from the very start – Wilkhahn's environmental product information.

The environmental impact of all Wilkhahn products throughout their whole product lives, which includes production of the feedstock, manufacture, use and disposal of the products, was assessed based on a life-cycle analysis (LCA).



Wilkhahn



Materials

Socio-ecological assessment of the production of the feedstock, the procurement process, the materials used and their characteristics.



Production

Socio-ecological assessment of the production and assembly processes by environmental-management and social-audit systems.



Product use

Socio-ecological assessment of the product utility phase regarding: Design, ergonomics, durability, customer service, availability of spare parts.

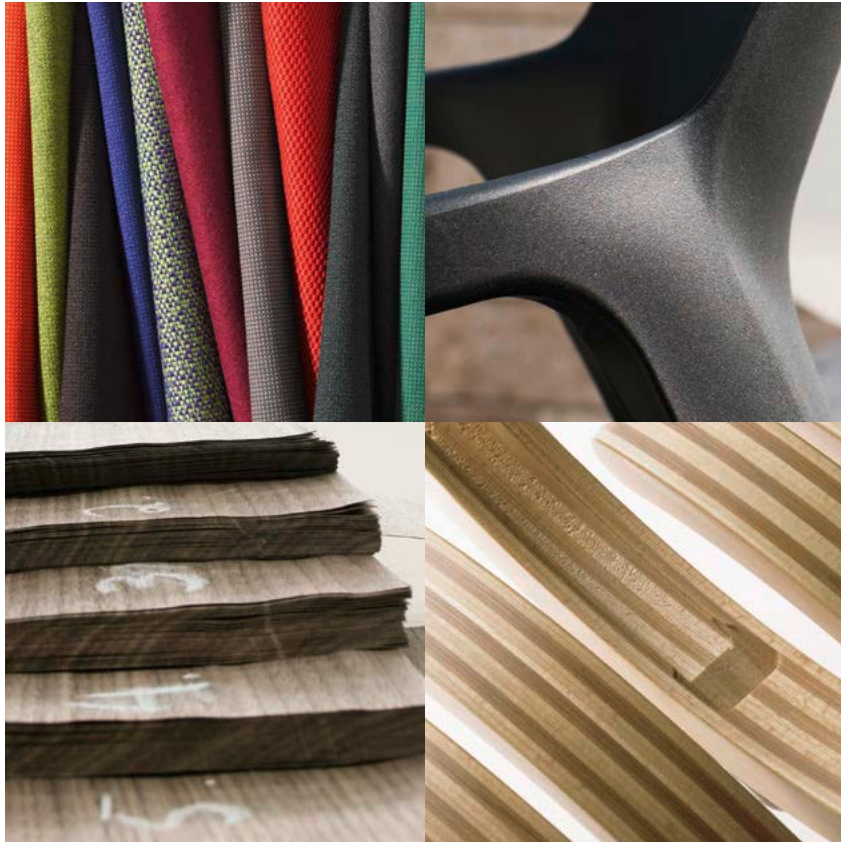


End of the product life-cycle

Socio-ecological assessment of the product after the end of its useful life: Disassembly and recycling capabilities, disposal and product take-back.

Occo. Environmental product information.

Wilkhahn



Materials.

International product and material standards.

During all phases of a product's development, we're demanding when it comes to the characteristics of our products, the quality of the materials and components, as well as the standard of our craftsmanship. Therefore, Wilkhahn products fulfil all relevant international office-furniture standards in terms of durability, safety and ergonomics. And what's more, many Wilkhahn products have also been awarded the GS symbol which rates them as being safe and as suitable for interiors as specified by Greenguard™. The materials Wilkhahn uses such as fabrics, leather, wood, plastics or metals are primarily made by highly specialized suppliers. Our product-development department specifies the technical and aesthetic characteristics that these materials have to fulfil. Our specifications on for example strength, color-fastness, durability and other characteristics that affect the quality of our products are clearly outlined by international material standards. Rules of thumb are as follows:

- The fabrics and leather used by Wilkhahn are low on emissions and help to provide good air quality in buildings and working environments;
- Wherever possible, Wilkhahn works with ecological upholstery fabrics, such as wool fleeces, cork and coconut fiber;
- All Wilkhahn polyurethane foam is free of CFCs and has no halogenated flame retardants. This helps protect the climate and is important for recycling capabilities at a later date. Nevertheless, Wilkhahn products can also fulfil special requirements as regards fire safety in public buildings, for example by applying flame-retardant upholstery fabrics. Additional flame-retardant materials are only added if required by our customers' stringent fire safety regulations.
- The powder-coated metal finishes of the table and chair frames are hard-wearing and made without any solvents or heavy metal.
- Chrome-plated metal finishes have no harmful chrome compounds (as specified in EN 71-3).

Wilkhahn attaches huge importance to the fact that its products and the associated materials, procedures and processes are responsible in social and ecological terms. Therefore, integrated audits help us check that our partners in the Wilkhahn supply chain comply with these aspects too. We check the quality of our products by inspecting incoming goods according to established criteria. Before processing, our materials are scrutinized and the finished results checked again by trained staff before forwarding to the next department.

Occo. Environmental product information.

Wilkhahn



Production.

Integrated management system

Wilkhahn headquarters in Bad Münde (Germany) are EMAS-validated and certified to ISO 14001. Wilkhahn supports relevant certification on the part of its suppliers. Wilkhahn's main production site is certified to ISO 9001. In selecting suppliers, comprehensive and proper quality management are very important to Wilkhahn.

Water conservation, material management and sustainable energy production

Water is becoming an increasingly important resource. Wilkhahn is pulling out all the stops to minimize water consumption during production and to ensure water quality is not impaired.

By treating and recycling process water, the quantities of waste water considered hazardous have been cut by 80 percent. The Wilkhahn waste management concept includes sorting waste selectively, as well as recycling and disposing of all waste fractions resulting from the production and management departments.

All Wilkhahn production facilities ensure compliance with labor and social responsibility standards, as required by the ILO (International Labor Organization). Our partnership with suppliers is based on compliance with this agreement.

Sustainability in the supply chain.

Our environmental and social responsibility doesn't stop at the gates to our own factories.

If within its power, Wilkhahn requires and promotes fair and safe working conditions and processes that don't harm the environment. Frequent assessment and on-site visits to top suppliers create trust and sustainability in the supply chain too.

Employees as partners.

Our maxim is fairness and aspects like trust and reliability define Wilkhahn's management culture and the way it involves its own workforce. Active participation by all employees is a driving force in encouraging continual and successful improvements in the environmental sector too. Whether it's a question of avoiding hazards in the workplace, of new manufacturing technologies, or of saving materials and energy – all employees can contribute their ideas for improving Wilkhahn at any time via the company's ideas management process.

Health and safety

Wilkhahn applies a wide range of measures to ensure that workspaces in the Wilkhahn production department are safe and allow as risk-free an approach as possible. This is achieved by:

- Planning safe procedures and workspaces;
- Organizing and defining responsibilities;
- Informing people about the risks the workspace entails and taking measures to avoid these;
- Regularly inspecting working environments to maintain safety and cleanliness in all areas;
- Using the health and safety committee to frequently discuss risk potentials and systematically avoid accidents.

Occo. Environmental product information.

Wilkhahn



Usage.

Aesthetics and design

Sustainable products must be practical. The timeless aesthetics of Wilkhahn products provide added value, making them options that are set to endure. Office work today requires maximum flexibility in terms of spaces, usage concepts, processes and people. New studies show that aesthetics have a direct impact on health.

Durability and guarantee

Product design to last is our antidote to the throw-away society. Therefore, Wilkhahn products focus on providing maximum utility value, durability and protecting resources. This means top quality that can be experienced, is consistent and perfect. It delivers timeless, distinctive design that is fascinating due to its simplicity, honesty and appeal to all the senses. Pioneering innovations are included that really give our customers constant added value in terms of ergonomics and handling. The fact that our products are extremely practical, easy to disassemble and components are replaceable ensures they are resource-efficient.

Air quality and emissions of harmful substances

Wilkhahn products don't emit any concentrations of gas that are harmful to the environment or health. In the US, Wilkhahn products have GREENGUARD Indoor Air Quality™ certification. GREENGUARD™ is a certification program for products low in emissions.

LEED

Wilkhahn office chairs and table ranges help companies to achieve credit points during LEED certification (U.S. Green Building Council's Leadership in Energy and Environmental Design). The LEED Green Building Rating System is a voluntary standard given to companies that offer a healthy environment, save water and energy and comply with stringent environmental criteria. More LEED information about our products is available on request.

Occo. Environmental product information.

Wilkhahn



End of the product life cycle.

Product take-back and recycling

Even after the product has reached the end of its life, we still feel responsible and offer our customers extensive take-back and recycling services. We guarantee to take back all products that are no longer in use. Wilkhahn products are dismantled in the factory, all parts are selectively sorted in terms of their inherent materials and then recycled. By labelling the materials, ensuring they're non-toxic and easy to dismantle, we're already making sure today that the components in Wilkhahn products can be incorporated into local material and production cycles and be properly recycled and disposed of. As a result, energy-guzzling (and therefore ecologically unwise transportation) over long distances is avoided.

Disassembly and recycling

All Wilkhahn product components are suitable for non-destructive disassembly. In order to guarantee materials are sorted according to type, all components over 150 g in weight are labeled. No agents to protect materials, or organic halogen compounds are used that prevent recycling at a later date.

Reusable packaging for transport

Customers in over 90 countries choose Wilkhahn office furniture. For years we've only been using as much packaging to transport our products as is required to deliver them in one piece to our customers. Some 60 to 78% of Wilkhahn's cardboard packaging consists of recycled material. And Wilkhahn regularly uses blankets and other returnable packaging.

Occo. Environmental product information.

Wilkhahn

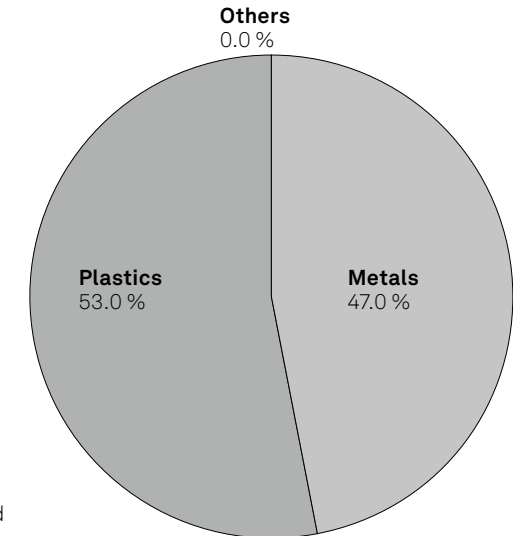


Materials.

Model's material composition model 222/10 Occo Multipurpose Chair

	[kg]	[%]
Metals	3.10	47.0
Steel	3.10	47.0
Brass	0.00	0.0
Plastics	3.57	53.0
Polypropylene (PP)	3.50	52.0
Polyamide (PA)	0.04	1.0
Polyurethane (PUR/TPU)	0.00	0.0
Polyester	0,00	0,0
Others	0.00	0.0
Total weight	6.70	100.0
Recycling proportion	2.40	35.0
Recycling capability	6.70	100.0

Materials are subject to stringent checks. As part of an ABC analysis, the materials are checked to ensure they are environmentally friendly and not harmful to health. Prohibited chemicals are not used in the product at all. All feedstock is listed in a register of hazardous substances. This helps to minimize the use or allow the substitution of any potentially harmful materials.



Occo. Environmental product information.

Wilkhahn

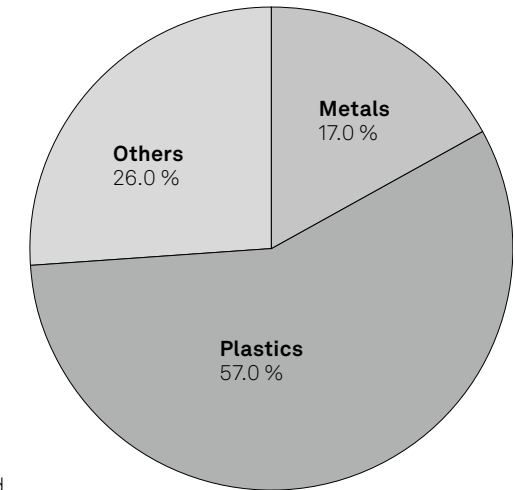


Materials.

Model's material composition model 222/20 Occo Multipurpose Chair

	[kg]	[%]
Metals	1.00	17.0
Steel	1.00	17.0
Brass	0.00	0.0
Plastics	3.54	57.0
Polypropylene (PP)	3.50	56.0
Polyamide (PA)	0.04	1.0
Polyurethane (PUR/TPU)	0.00	0.0
Polyester	0.00	0.0
Others	1.70	26.0
Wood (oak)	1.70	26.0
Total weight	6.24	100.0
Recycling proportion	0.80	13.0
Recycling capability	6.10	98.0

Materials are subject to stringent checks. As part of an ABC analysis, the materials are checked to ensure they are environmentally friendly and not harmful to health. Prohibited chemicals are not used in the product at all. All feedstock is listed in a register of hazardous substances. This helps to minimize the use or allow the substitution of any potentially harmful materials.



Occo. Environmental product information.

Wilkhahn

Certificates product/standards



DIN EN 1335 ANSI/BIFMA X5.1 Not all certificates / standards apply to all types.

Company's certificates, memberships



Wilkhahn and sustainability

Wilkhahn



In over 100 years of its corporate history, Wilkhahn can look back on a sustainability philosophy that has grown over decades. Aspects such as durability, social fairness, environmental responsibility and cultural orientation have been evolving as corporate principles since the 1950s. Wilkhahn today is regarded internationally as a model of excellence, not only on account of its products but also because of its modern corporate philosophy. This is because the company realized early on that sustainable design should embrace environmental aspects, improve social relationships and define the cultural role of a company. This approach to the way we do business creates a bond between us and our customers throughout the world. There is surely no more rewarding task than working together for a successful future that is worth living in.

📄 [Current sustainability report with environmental statement](#)



For further information please contact us!

Wilkhahn



Wilkening + Hahne GmbH+Co.KG
Fritz-Hahne-Str. 8
31848 Bad Münde
Germany
Tel.: +49 5042 999-100
contact@wilkhahn.de
www.wilkhahn.com



Roof of one of the four pavilions,
which were designed by architect
Frei Otto, on the Wilkhahn site.
Photo: Klemens Ortmeier