

Wilkhahn

Travis height-adjustable. 661 range.





Travis height-adjustable.

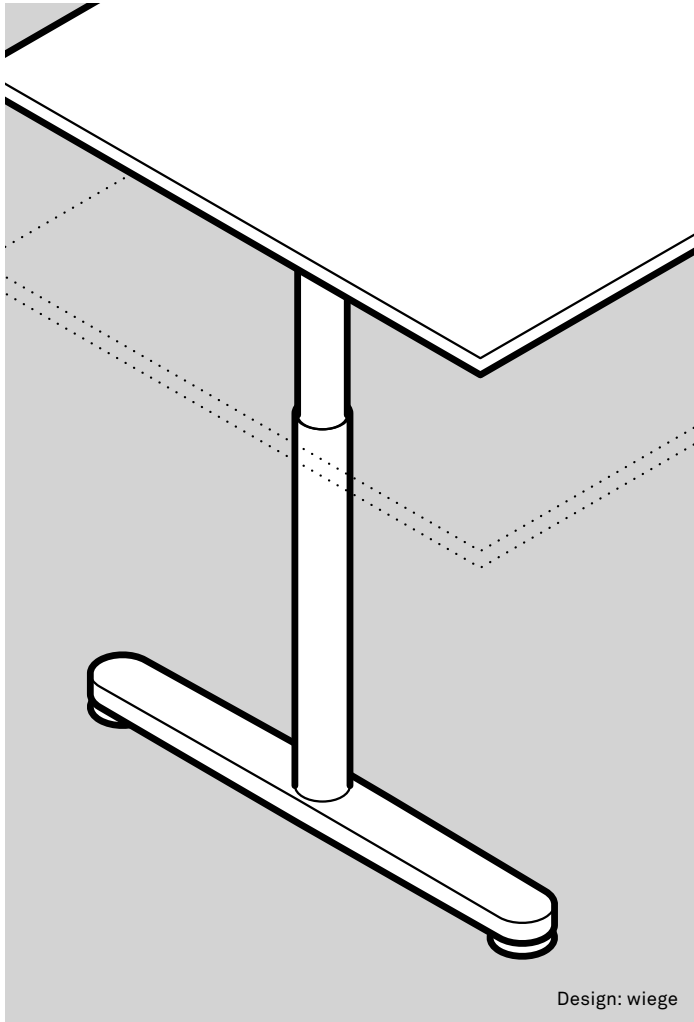
Lack of physical activity in offices is considered the main reason for back pain, headaches, fatigue and other complaints in the modern world. At desks or in conference rooms – the majority of office work is sedentary. Which is why, in addition to dynamic seating, alternating between standing and sitting is becoming increasingly important. Getting up and standing for a time while working pays dividends. Especially when your body's seized up and your creative powers are stalling. And the same applies the other way round too. If meetings at high tables drag on, sitting down in between helps take the pressure off.

Consequently, the standalone tables (71 – 118 cm (28" – 46 1/2")) with electrically height-adjustable frames perfectly complement the impressive Travis conference table system. The rectangular shapes (90 x 180 cm (35 3/8" x 70 7/8"), 100 x 200 cm (39 3/8" x 78 3/4")) are ideal as desks or as conference tables. And a sitting-down meeting with eight people at the barrel-shaped table (80/100 x 230 cm (31 1/2"/39 3/8" x 90 1/2")) can quickly become a standing-up one.



Travis height-adjustable. 661 range. Technical details.

Wilkhahn



Design: wiege

Function

Electric height-adjustable tables now complement the modular Travis table system. From a seating height of at least 71 cm, the tables are precision adjustable to a standing height of 118 cm max. At the touch of a button, users can simply switch between sitting or standing at tables and therefore easily adopt healthy postures in conferences and workspaces.

Frame

Steel T-shaped base, bright chrome-plated or coated in a silver satin finish or black. Telescopic steel table column, bright chrome-plated or coated in a silver satin finish or black; telescopic section always chrome-plated. Steel crossbeam coated in a silver satin finish or black. Underframe facings at the front edges are the same as the table column's surface finish. Black polyamide glides, optionally with felt inserts (for hard floorings). Frame electrically height adjustable from 71 to 118 cm, supply lead 300 cm, 150 cm of which has a black textile sleeving.

Core material of table top

Plywood, depending on the surface finish with straight, colour-matched plastic lipping or with straight, colour-matched wood lipping. MDF (medium density fibreboard) only in conjunction with veneer with colour matched, chamfered wood lipping.

Table top group 1 – veneered top and bottom with laminate

Table top thickness 26 mm
Laminate from the Wilkhahn colour and surface samples with plastic lipping, colour-matched with the finish. (Only straight edges possible!)

Table top group 2 – veneered top and bottom

Table top thickness 26 mm
Variant 1: Beech, oak or ash veneer from Wilkhahn woodstain colour samples (exception: no ash with a natural finish on chamfered lipping) with wood lipping, colour-matched as far as possible with the veneer.
Variant 2: Maple (exception: no maple with a natural finish in the case of chamfered lipping), walnut or elm veneer from the Wilkhahn woodstain colour samples with wood lipping colour-matched as far as possible with the veneer.

Veneer type

As a standard, the veneer panels are slip-matched. Surfaces sealed with clear lacquer: Oak, ash, walnut and elm veneer closed-pore: maple and beech veneer. Some specific growth features possible.

Standards

The height-adjustable tables comply with the DIN 147 technical report and DIN EN 527, as well as the GS requirements.



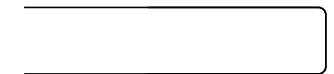
www.tuv.com
ID 1000000000



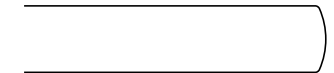
Edge profiles



Chamfered edge



Straight edge



Bullnose edge

Subject to change.

Travis height-adjustable. 661 range. Product types.

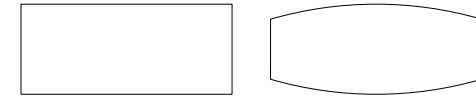
Wilkhahn

661/41 Height-adjustable Travis
90 x 180 cm, 100 x 200 cm oder 80/120 x 230 cm, 71 – 118 cm high



Change from sitting to standing at the touch of a button. The position required can be precisely adjusted on the electrical height-adjustment panel.

Shapes



Rectangular: 120 x 280 cm. Barrel shape: 80/120 x 280/360 cm.

Edge profiles



Chamfered, straight, bullnose

Table columns with T-shaped bases

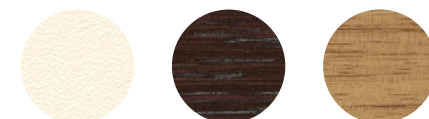


Frame versions



T-shaped base: bright chrome plated aluminium, coated black or with a silver satin finish High-lustre polished stainless steel

Table top groups



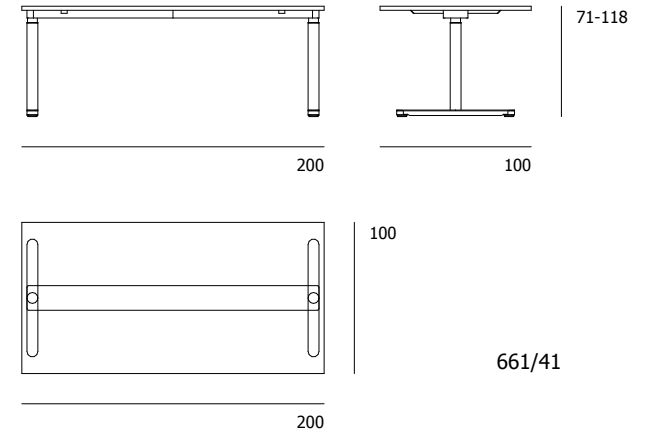
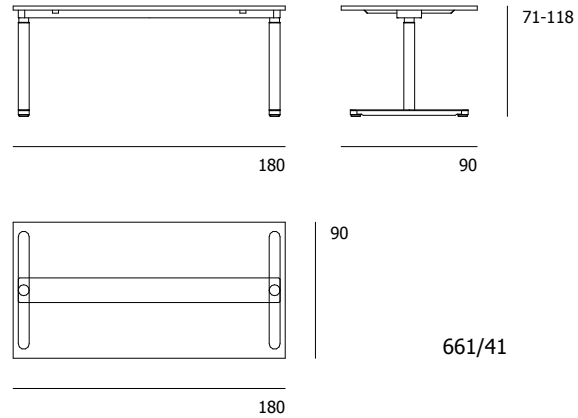
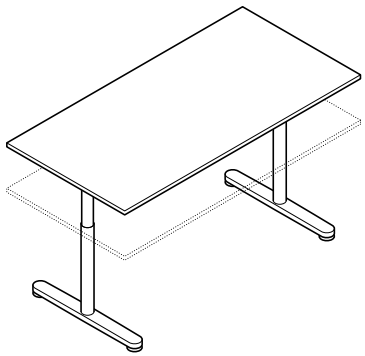
Laminate, veneer version 1, veneer version 2

The digital sample colours differ from the originals.
You can find our current fabric collection in our media center.

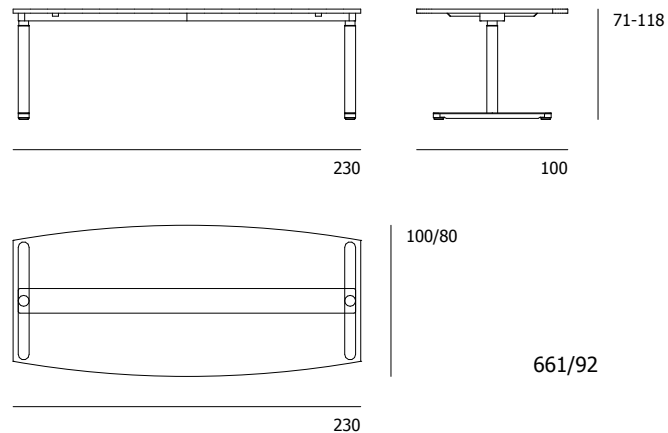
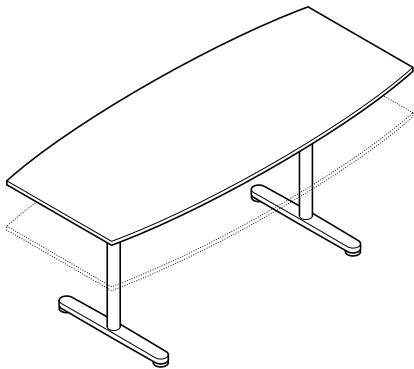
Travis height-adjustable. 661 range. Models and dimensions.

Wilkhahn

661/41 height-adjustable
Rectangular



661/41 height-adjustable
Barrel shape



Travis height-adjustable. 661 range. Awards / standards / certificates.

Wilkhahn

Awards



reddot design award
winner 2008

Product certificates / product standards



Green Tick
Product
Certification

DIN 147 technical report | DIN EN 527

Company's certificates, memberships



Mitglied der
DGNB
Deutsche Gesellschaft für Nachhaltiges Bauen
German Sustainable Building Council



The mark of
responsible forestry