

**SUNGAI  
DESIGN**



**Product Specs**



The Muara Stool by Sungai Design is an innovative multi-purpose stool that embodies refined aesthetic and sustainability. This flat-pack design stool is made from 500 plastic bags collected in Indonesia's rivers, and available in two elegant finishes: Pebble White and Granite Black. For an added layer of comfort and visual appeal, an optional cushion made from up-cycled PET fabric, is also available in black or white.

Its sleek, disc-shaped top with unique rounded legs make the Muara stool the perfect seating option or side table to a sofa or chair. Small in stature, it can be moved anywhere and blend in any environment, while bringing a sense of calmness and elegance to the space.

Choosing a Muara Stool is embracing a piece that honors both the environment and the art of craftsmanship. It is an invitation to experience the harmony of nature and design, a reminder that elegance can emerge from even the most unexpected places.



# Muara Stool

## Information

### Design

Dimas Jadidan, 2024

### Environment

Indoor

### Materials

River plastic bags from Bali (LDPE)


### Weight

11.5 kilograms of up-cycled plastic

## Finishes

### Recycled LDPE

 Granite Black

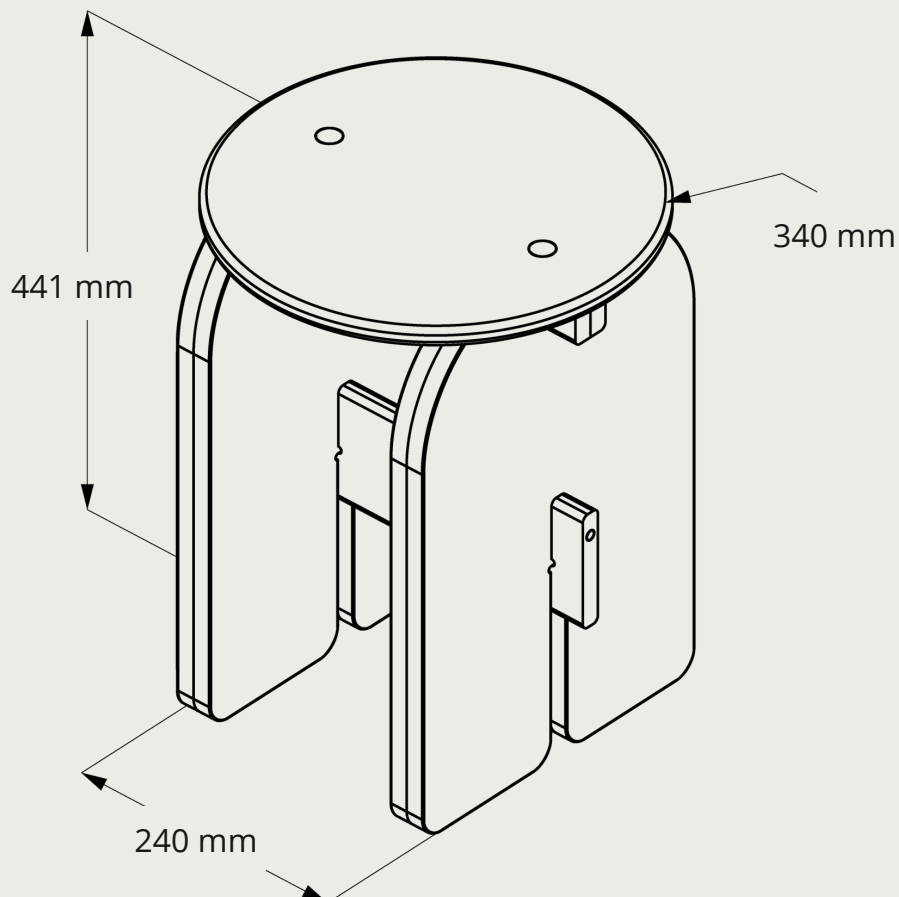
 Pebble White

Each product features a unique finish, with subtle variations in color and texture.

### Impact

500 plastic bags up-cycled

## Dimensions









# SUNGAI DESIGN