

**SUNGAI  
DESIGN**



**Product Specs**



No two chairs in our collection are ever the same. Crafted from 2,000 up-cycled plastic bags, each chair embodies a fusion of textures, colors, and materials that cannot be replicated. This exclusivity ensures that when you choose a chair from our collection, you're not just selecting a piece of furniture; you're embracing a singular story that has traveled through time to find its place in your home.

The beauty of the Ombak chairs lies not only in their aesthetic appeal but in their narrative. Each chair comes with a long history, offering a glimpse into the journey of transformation from discarded elements to a beautiful, functional piece of art. These chairs are a testament to the possibility of sustainability in design, proving that beauty and eco-consciousness can go hand in hand.



# Ombak

## Information

### Design

[Michael Russek, 2023](#)

### Environment


Indoor


### Materials


River plastic bags from Bali (LDPE)

## Finishes

### Recycled LDPE

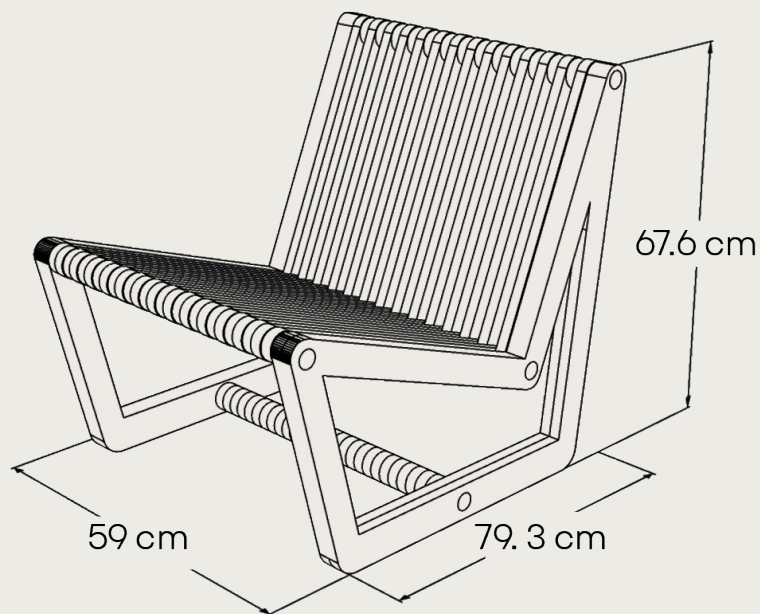
 Granite Black

 Ocean

 Concrete White

We base our chairs on these three colors, however, each chair's final color is slightly unique.

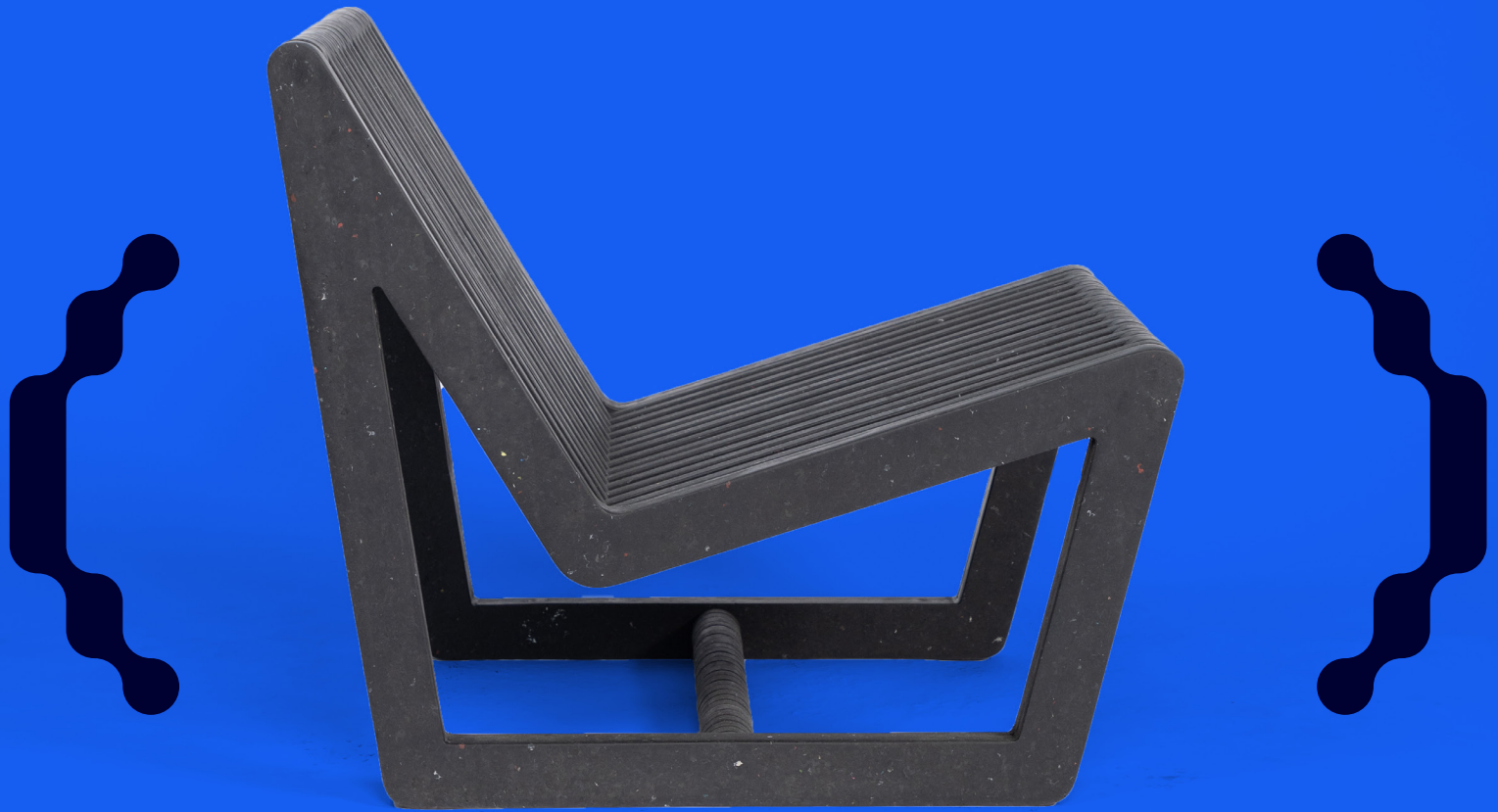
## Dimensions











# SUNGAI DESIGN